

US EPA ARCHIVE DOCUMENT

July 1999

Environmental Technology Verification Report

TESTO MODEL 350 PORTABLE EMISSION ANALYZER

Prepared by



Battelle Memorial Institute

Under a cooperative agreement with



US EPA ARCHIVE DOCUMENT

ETV ✓ ETV ✓ ETV ✓

July 1999

Environmental Technology Verification Report

Advanced Monitoring Systems

Testo Model 350 Portable Emission Analyzer

By

Thomas Kelly
Ying-Liang Chou
Susan J. Abby
Paul I. Feder
James J. Reuther
Karen Riggs

Battelle
Columbus, Ohio 43201

Notice

The U.S. Environmental Protection Agency (EPA), through its Office of Research and Development has financially supported and collaborated in the extramural program described here. This document has been peer reviewed by the Agency and recommended for public release. Mention of trade names or commercial products does not constitute endorsement or recommendation by the EPA for use.

Foreword

The U.S. Environmental Protection Agency (EPA) is charged by Congress with protecting the Nation's air, water, and land resources. Under a mandate of national environmental laws, the Agency strives to formulate and implement actions leading to a compatible balance between human activities and the ability of natural systems to support and nurture life. To meet this mandate, the EPA's Office of Research and Development (ORD) provides data and science support that can be used to solve environmental problems and to build the scientific knowledge base needed to manage our ecological resources wisely, to understand how pollutants affect our health, and to prevent or reduce environmental risks.

The Environmental Technology Verification (ETV) Program has been established by the EPA, to verify the performance characteristics of innovative environmental technology across all media and to report this objective information to permittees, buyers, and users of the technology, thus substantially accelerating the entrance of new environmental technologies into the marketplace. Verification Organizations oversee and report verification activities based on testing and Quality Assurance protocols developed with input from major stakeholders and customer groups associated with the technology area. At present, there are twelve environmental technology areas covered by ETV. Information about each of the environmental technology areas covered by ETV can be found on the Internet at <http://www.epa.gov/etv.htm>.

Effective verifications of monitoring technologies are needed to assess environmental quality, and to supply cost and performance data to select the most appropriate technology for that assessment. In 1997, through a competitive cooperative agreement, Battelle Memorial Institute was awarded EPA funding and support to plan, coordinate, and conduct such verification tests, for "Advanced Monitoring Systems for Air, Water, and Soil" and report the results to the community at large. Information concerning this specific environmental technology area can be found on the Internet at http://www.epa.gov/etv/07/07_main.htm.

Acknowledgments

The authors wish to acknowledge the support of all those who helped plan and conduct the verification test, analyze the data, and prepare this report. In particular we recognize Joseph Tabor, Steve Speakman, and Joshua Finegold of Battelle, and Marko Bruinsma, Craig McKim, and Reinhold Munch of Testo, Inc.

Contents

Notice	ii
Foreword	vii
Acknowledgments	viii
List of Abbreviations	xiii
1. Background	1
2. Technology Description	2
3. Test Design and Procedures	4
3.1 Introduction	4
3.2 Laboratory Tests	5
3.2.1 Linearity	7
3.2.2 Detection Limit	8
3.2.3 Response Time	8
3.2.4 Interrupted Sampling	8
3.2.5 Interferences	8
3.2.6 Pressure Sensitivity	9
3.2.7 Ambient Temperature	10
3.3 Combustion Source Tests	11
3.3.1 Combustion Sources	11
3.3.2 Test Procedures	12
4. Quality Assurance/Quality Control	16
4.1 Data Review and Validation	16
4.2 Deviations from the Test/QA Plan	16
4.3 Calibration of Laboratory Equipment	18
4.4 Standard Certifications	18
4.5 Performance System Audits	19
4.5.1 Internal Audit	19
4.5.2 External Audit	22

- 5. Statistical Methods 24
 - 5.1 Laboratory Tests 24
 - 5.1.1 Linearity 24
 - 5.1.2 Detection Limit 25
 - 5.1.3 Response Time 26
 - 5.1.4 Interrupted Sampling 26
 - 5.1.5 Interferences 26
 - 5.1.6 Pressure Sensitivity 27
 - 5.1.7 Ambient Temperature 27
 - 5.2 Combustion Source Tests 28
 - 5.2.1 Accuracy 28
 - 5.2.2 Zero/Span Drift 28
 - 5.2.3 Measurement Stability 28
 - 5.2.4 Inter-Unit Repeatability 29
 - 5.2.5 Data Completeness 29
- 6. Statistical Results 30
 - 6.1 Laboratory Tests 30
 - 6.1.1 Linearity 30
 - 6.1.2 Detection Limit 33
 - 6.1.3 Response Time 33
 - 6.1.4 Interrupted Sampling 35
 - 6.1.5 Interferences 36
 - 6.1.6 Pressure Sensitivity 37
 - 6.1.7 Ambient Temperature 37
 - 6.1.8 Zero and Span Drift 40
 - 6.2 Combustion Source Tests 41
 - 6.2.1 Relative Accuracy 41
 - 6.2.2 Zero and Span Drift 44
 - 6.2.3 Measurement Stability 46
 - 6.2.4 Inter-Unit Repeatability 49
 - 6.3 Other Factors 50
 - 6.3.1 Cost 50
 - 6.3.2 Data Completeness 50
 - 6.3.3 Maintenance/Operational Factors 50
- 7. Performance Summary 52

8. References 53

Appendix A: Data Recording Sheets A-1

Appendix B: External Technical Systems Audit Report B-1

Figures

2-1. Testo 350 2

3-1. Manifold Test Setup 7

Tables

3-1. Identity and Schedule of Verification Tests Conducted on Testo 350 Analyzers 4

3-2. Summary of Interference Tests Performed 9

3-3. Span Concentrations Provided Before and After Each Combustion Source 14

4-1. Results of QC Procedures for Reference NO_x Analyzers for Testing of Testo 350 Analyzers 17

4-2. Equipment Type and Calibration Date 18

4-3. Observations and Findings from the Internal Technical Systems Audit 20

4-4. Performance Evaluation Results 21

6-1a. Data from NO Linearity Test of Testo 350 Analyzers 30

6-1b. Data from NO₂ Linearity Test of Testo 350 Analyzers 31

6-2. Statistical Results for Test of Linearity 31

6-3. Estimated Detection Limits for Testo 350 Analyzers 33

6-4. Response Time Data for Testo 350 Analyzers 34

6-5. Response Time Results for Testo 350 Analyzers 35

6-6. Data from Interrupted Sampling Test with Testo 350 Analyzers 35

6-7. Pre- to Post-Test Differences as a Result of Interruption of Operation of Testo 350 Analyzers 35

6-8. Data from Interference Tests on Testo 350 Analyzers 36

6-9. Results of Interference Tests of Testo 350 Analyzers 36

6-10. Data from Pressure Sensitivity Test for Testo 350 Analyzers 38

6-11. Pressure Sensitivity Results for Testo 350 Analyzers 38

6-12. Data from Ambient Temperature Test of Testo 350 Analyzers 39

6-13. Ambient Temperature Effects on Testo 350 Analyzers 40

6-14. Data from Linearity and Ambient Temperature Tests Used to Assess Zero and Span Drift of the Testo 350 Analyzers 41

6-15. Zero and Span Drift Results for the Testo 350 Analyzers 41

6-16a. Data from the Gas Rangetop in Verification Testing of Testo 350 Analyzers 42

6-16b. Data from the Gas Water Heater in Verification Testing of Testo 350 Analyzers 42

6-16c. Data from the Diesel Generator at High RPM in Verification Testing of Testo 350 Analyzers 43

6-16d. Data from Diesel Generator at Idle in Verification Testing of Testo 350 Analyzers 43

6-17. Relative Accuracy of Testo 350 Analyzers 44

6-18. Data Used to Assess Zero and Span Drift for Testo 350 Analyzers on Combustion Sources 45

6-19. Results of Zero and Span Drift Evaluation for Testo 350 Analyzers 46

6-20. Data from Extended Sampling Test with Diesel Generator at Idle, Using Testo 350 Analyzer 47

6-21. Results of Evaluation of Measurement Stability for Testo 350 Analyzer 49

6-22. Summary of Repeatability 50

List of Abbreviations

AC	alternating current
AMS	Advanced Monitoring Systems
ANSI	American National Standards Institute
Btu/hr	British thermal unit per hour
ccm	cubic centimeter per minute
CEMS	continuous emission monitoring system
CO	carbon monoxide
CO ₂	carbon dioxide
DC	direct current
EPA	U.S. Environmental Protection Agency
ETV	Environmental Technology Verification
FID	flame ionization detector
ft ³	cubic feet
gpm	gallons per minute
kW	kilowatt
LOD	limit of detection
lpm	liters per minute
m ³	cubic meters
NH ₃	anhydrous ammonia
NIST	National Institute of Standards and Technology
NO	nitric oxide
NO _x	nitrogen oxides
NO ₂	nitrogen dioxide
O ₂	oxygen
PE	performance evaluation
ppm	parts per million, volume
ppmC	parts per million carbon
QA	quality assurance
QC	quality control
QMP	Quality Management Plan
rms	root-mean-square
RPM	revolutions per minute

SAS	Statistical Analysis System
SCAQMD	South Coast Air Quality Management District
SCR	selective catalytic reduction
SO ₂	sulfur dioxide
UHP	ultra-high purity

Chapter 1 Background

The U.S. Environmental Protection Agency (EPA) has created the Environmental Technology Verification Program (ETV) to facilitate the deployment of innovative environmental technologies through performance verification and dissemination of information. The goal of the ETV Program is to further environmental protection by substantially accelerating the acceptance and use of improved and cost-effective technologies. ETV seeks to achieve this goal by providing high quality, peer reviewed data on technology performance to those involved in the design, distribution, permitting, purchase and use of environmental technologies.

ETV works in partnership with recognized testing organizations, stakeholder groups consisting of regulators, buyers and vendor organizations, and with the full participation of individual technology developers. The program evaluates the performance of innovative technologies by developing test plans that are responsive to the needs of stakeholders, conducting field or laboratory tests (as appropriate), collecting and analyzing data, and preparing peer reviewed reports. All evaluations are conducted in accordance with rigorous quality assurance protocols to ensure that data of known and adequate quality are generated and that the results are defensible.

The EPA's National Exposure Research Laboratory and its verification organization partner, Battelle Memorial Institute, operate the Advanced Monitoring Systems (AMS) program under ETV. The AMS program has recently evaluated the performance of portable nitrogen oxides monitors used to determine emissions from combustion sources. This verification statement provides a summary of the test results for the Testo Model 350 Portable Emission Analyzer.

Chapter 2 Technology Description

The objective of the ETV Advanced Monitoring Systems pilot is to verify the performance characteristics of environmental monitoring technologies for air, water, and soil. This verification report provides results for the verification testing of two Model 350 electrochemical NO and NO₂ analyzers, manufactured by Testo Inc., Flanders, N.J. The following is a description of the Testo 350 analyzers, based on information provided by the vendor.

The Testo 350 is a portable analyzer designed to measure O₂, CO, NO, NO₂, SO₂, and draft from combustion emission sources. Figure 2-1 shows a schematic of the Testo 350 in stack gas sampling mode, illustrating the measurement and data readout capabilities of the analyzer. The fundamental components of the instrument are the electrochemical cells, which create an output

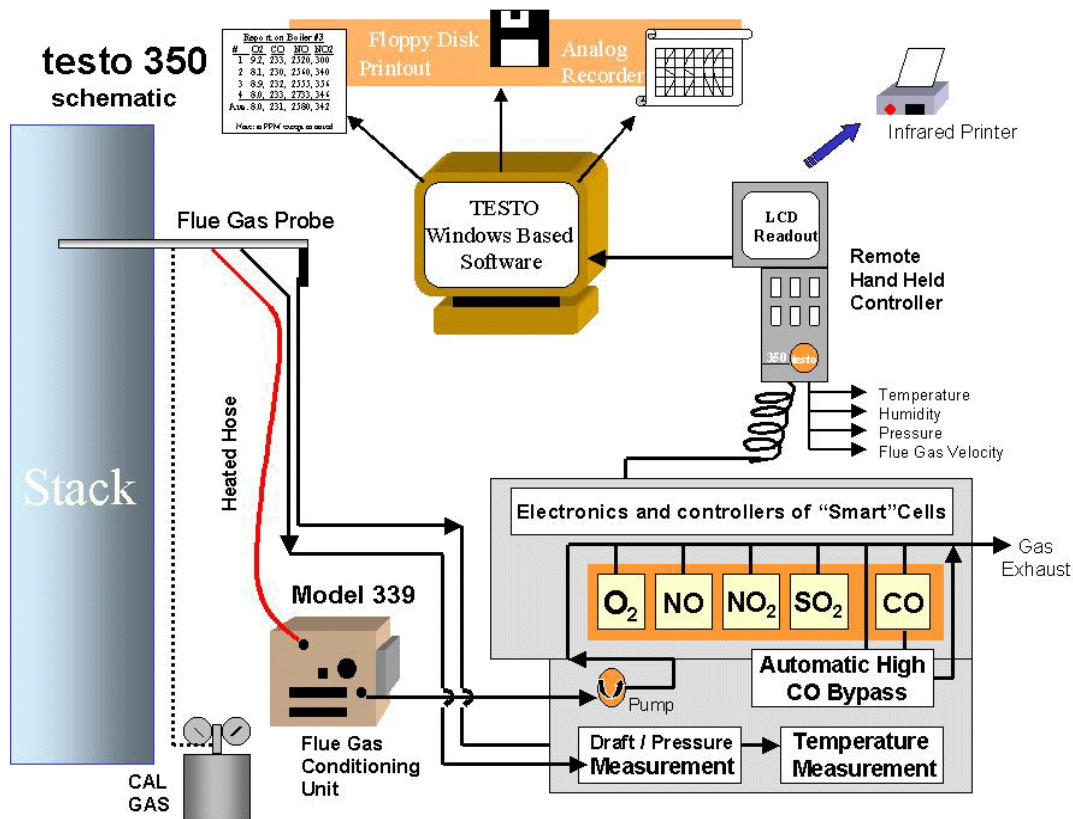


Figure 2-1. Testo 350

signal that is selective as well as proportional to the concentrations of the targeted gases in the combustion stream. The Testo 350 uses aerospace polymers to create a compact and lightweight (approximately 6-pound) package.

The analyzer unit operates on AC or DC (i.e., battery) power. A variety of probes (flue gas, humidity, pressure) is available. All analyzer functions and displays are housed in a remote hand-held controller that permits operation and readout at distances up to 65 feet. Data may be transferred from the hand-held controller through a remote infrared printer or from the computer interface. In the verification testing reported here, data were read out from the liquid crystal display of the remote controller and recorded manually on standard data sheets.

The two Testo 350 units subjected to the ETV testing reported here were standard systems for measuring O₂, CO, NO, and NO₂. The focus of this verification test was on the NO and NO₂ measurement capabilities only. A heated sample line and the Testo Model 339 sample gas conditioner were fitted into the sample stream of each Testo 350 analyzer, and can permit long-term (i.e., continuous up to 48 hours) testing. The heated line and Model 339 conditioner weigh a total of 13 pounds, and operate with 110 V or 230 V AC power.

Chapter 3 Test Design and Procedures

3.1 Introduction

The verification test described in this report was conducted in early 1999 on commercial portable nitrogen oxides analyzers. The tests were conducted at Battelle in Columbus, Ohio, according to procedures specified in the *Test/QA Plan for Verification of Portable NO/NO₂ Emission Analyzers*.⁽¹⁾ Verification testing of the analyzers involved the following tests:

1. A series of laboratory tests in which certified NO and NO₂ standards were used to challenge the analyzers over a wide concentration range under a variety of conditions.
2. Tests using three realistic combustion sources, in which data from the analyzers undergoing testing were compared to chemiluminescent NO and NO_x measurements made following the guidelines of EPA Method 7E.⁽²⁾

These tests are listed in Table 3-1.

Table 3-1. Identity and Schedule of Verification Tests Conducted on Testo 350 Analyzers

Test Activity	Date Conducted
Laboratory Tests	
Linearity	January 11, 1999, p.m.
Interrupted Sampling	January 11, 1999, p.m.–January 12, 1999, a.m.
Interferences	January 12, a.m.
Pressure Sensitivity	January 12, p.m.
Ambient Temperature	January 12, p.m.
Source Tests	
Gas Rangetop	February 1, 1999*
Gas Water Heater	February 1, 1999*
Diesel Generator High RPM	February 1, 1999*
Diesel Generator–Idle	February 1, 1999*

*Source tests of the Testo 350 analyzers were first conducted on January 13 and 14, but were aborted due to problems with the reference analyzers (chemiluminescent NO/NO_x). Retesting on February 1 was the basis for the verification results presented in this report.

To assess inter-unit variability, two identical Testo 350 analyzers were tested simultaneously. These two analyzers were designated as Unit A and Unit B throughout all testing. The commercial analyzers were operated at all times by a representative of Testo so that each analyzer's performance could be assessed without concern about the familiarity of Battelle staff with the analyzers. At all times, however, the Testo representative was supervised by Battelle staff. Displayed NO and NO₂ readings from the analyzers (in ppm) were manually entered onto data sheets prepared before the test by Battelle. Battelle staff filled out corresponding data sheets, recording, for example, the challenge concentrations or reference analyzer readings, at the same time that the analyzer operator recorded data. This approach was taken because visual display of measured NO and NO₂ (or NO_x) concentrations was the "least common denominator" of data transfer among several NO/NO₂ analyzers tested. Copies of the blank data recording sheets used by Battelle and vendor staff are included as Appendix A of this report.

Verification testing began with Testo staff setting up and checking out their two analyzers in the laboratory at Battelle. Once vendor staff were satisfied with the operation of the analyzers, the laboratory tests were begun. These tests were carried out in the order specified in the test/QA plan.⁽¹⁾ Upon completion of laboratory tests, the analyzers were moved to a nearby building where the combustion sources described below were set up, along with two chemiluminescent nitrogen oxides monitors which served as the reference analyzers. The combustion source tests were conducted indoors, with the combustion source exhausts vented through the roof of the test facility. This arrangement assured that testing was not interrupted and that no bias in testing was introduced as a result of the weather. Sampling of source emissions began with the combustion source emitting the lowest NO_x concentration and proceeded to sources emitting progressively more NO_x. In all source sampling, the analyzers being tested sampled the same exhaust gas as did the reference analyzers. This was accomplished by inserting the Testo analyzers' gas sampling probes into the same location in the exhaust duct as the reference analyzers' probe.

3.2 Laboratory Tests

The laboratory tests were designed to challenge the analyzers over their full nominal response ranges, which for the Testo 350 analyzers were 0 to 3,000 ppm for NO and 0 to 500 ppm for NO₂. These nominal ranges greatly exceed the actual NO or NO₂ concentrations likely to be emitted from most combustion sources. Nevertheless, the lab tests were aimed at quantifying the full range of performance of the analyzers.

Laboratory tests were conducted using certified standard gases for NO and NO₂, and a gas dilution system with flow calibrations traceable to the National Institute of Standards and Technology (NIST). The NO and NO₂ standards were diluted in high purity gases to produce a range of accurately known concentrations. The NO and NO₂ standards were EPA Protocol 1 gases, obtained from Scott Specialty Gases, of Troy, Michigan. As required by the EPA Protocol⁽³⁾ the concentration of these gas standards was established by the manufacturer within 1 percent accuracy using two independent analytical methods. The concentration of the NO standard (Scott Cylinder Number ALM 057210) was 3,925 ppm, and that of the NO₂ standard (Scott Cylinder Number ALM 019660) was 493.2 ppm. These concentrations were confirmed

near the end of the verification tests by comparison with independent standards obtained from other suppliers.

The gas dilution system used was an Environics Model 2020 mass flow controlled diluter (Serial Number 2108). This diluter incorporated four separate mass flow controllers, having ranges of 10, 10, 1, and 0.1 lpm, respectively. This set of flow controllers allowed accurate dilution of gas standards over a very wide range of dilution ratios, by selection of the appropriate flow controllers. The mass flow calibrations of the controllers were checked against a NIST standard by the manufacturer prior to the verification test, and were programmed into the memory of the diluter. In verification testing, the Protocol Gas concentration, inlet port, desired output concentration, and desired output flow rate were entered by means of the front panel keypad of the 2020 diluter, and the diluter then set the required standard and diluent flow rates to produce the desired mixture. The 2020 diluter indicated on its front panel display the actual concentration being produced, which in some cases differed very slightly from the nominal concentration requested. In all cases the actual concentration produced was recorded as the concentration provided to the analyzers undergoing testing. The 2020 diluter also provided warnings if a flow controller was being operated at less than 10 percent of its working range, i.e., in a flow region where flow control errors might be enhanced. Switching to another flow controller then minimized the uncertainties in the preparation of the standard dilutions.

Dilution gases used in the laboratory tests were Acid Rain CEM Zero Air and Zero Nitrogen from Scott Specialty Gases. These gases were certified to be of 99.9995 percent purity, and to have the following maximum content of specific impurities: $\text{SO}_2 < 0.1$ ppm, $\text{NO}_x < 0.1$ ppm, $\text{CO} < 0.5$ ppm, $\text{CO}_2 < 1$ ppm, total hydrocarbons < 0.1 ppm, and water < 5 ppm. In addition the nitrogen was certified to contain less than 0.5 ppm of oxygen, while the air was certified to contain 20 to 21 percent oxygen.

Laboratory testing was conducted primarily by supplying known gas mixtures to the analyzers from the Environics 2020, using a simple manifold that allowed the two analyzers to sample the same gas. The experimental setup is shown schematically in Figure 3-1. The manifold itself consisted of a 9.5-inch length of thin-walled 1-inch diameter 316 stainless steel tubing, with 1/4-inch tubing connections on each end. The manifold had three 1/4-inch diameter tubing side arms extending from it: two closely spaced tubes are the sampling points from which sample gas was withdrawn by the two analyzers, and the third provided a connection for a Magnehelic differential pressure gauge (± 15 inches of water range) that indicated the manifold pressure relative to the atmospheric pressure in the laboratory. Gas supplied to the manifold from the Environics 2020 always exceeded by at least 0.5 lpm the total sample flow withdrawn by the two analyzers. The excess vented through a "T" connection on the exit of the manifold, and two coarse needle valves were connected to this "T," as shown in Figure 3-1. One valve controlled the flow of gas out the normal exit of the manifold, and the other was connected to a small vacuum pump. Closing the former valve elevated the pressure in the manifold, and opening the latter valve reduced the pressure in the manifold. Adjustment of these two valves allowed close control of the manifold pressure within a target range of ± 10 inches of water, while maintaining excess flow of the gas mixtures to the manifold. The arrangement shown in Figure 3-1 was used in all laboratory tests, with the exception of interference testing. For most interference testing, gas standards of the

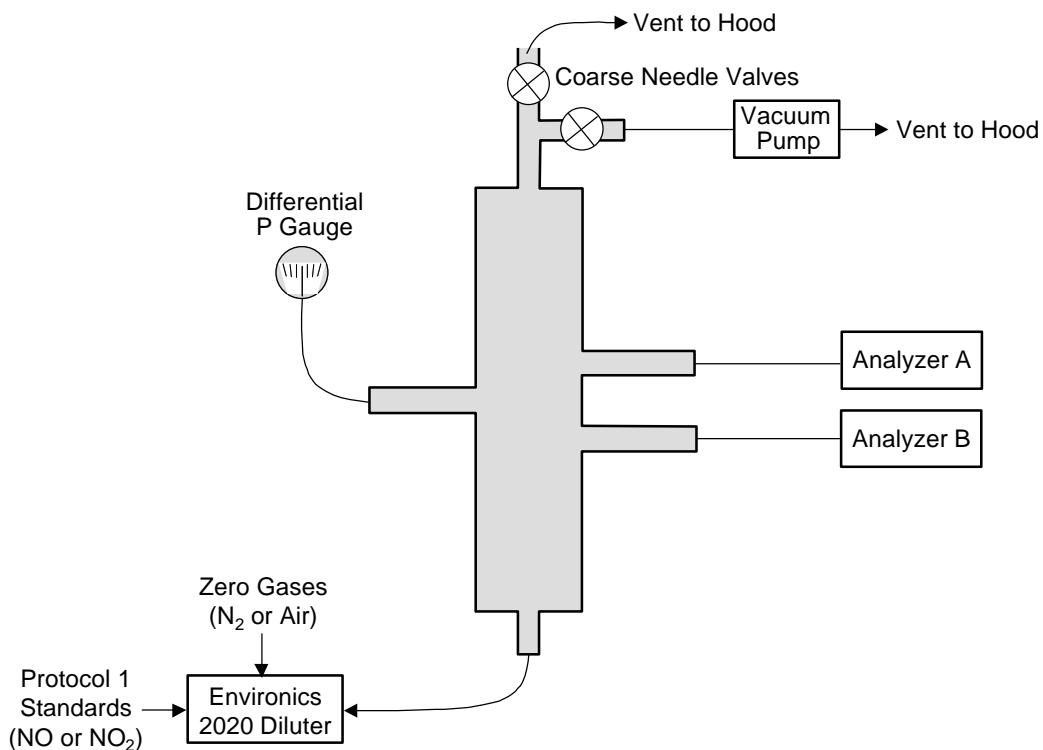


Figure 3-1. Manifold Test Setup

appropriate concentrations were supplied directly to the manifold, without use of the EnviroNics 2020 diluter.

Laboratory testing consisted of a series of separate tests evaluating different aspects of analyzer behavior. The procedures for those tests are described below, in the order in which the tests were actually conducted. The statistical procedures that were applied to the data from each test are presented in Chapter 5 of this report.

3.2.1 Linearity

The linearity of analyzer response was tested by wide-range multipoint calibrations with NO and NO₂. Linearity testing consisted of a 21-point response check for NO, and for NO₂. Prior to this check, the Testo analyzers were provided with the appropriate zero gas, and then with an NO or NO₂ span gas concentration near the respective nominal full scale of the analyzers (i.e., near 3,000 ppm NO or 500 ppm NO₂). The actual values of the span gases provided were 3,005 ppm NO and 493.2 ppm NO₂. After adjustments to the analyzers to accurately match that span value, the 21-point check proceeded without further adjustments. The 21 points consisted of three replicates each at 10, 20, 40, 70, and 100 percent of the nominal range, in randomized order, and interspersed with six replicates of zero gas.⁽¹⁾ Following completion of all 21 points, the zero and 100 percent spans were repeated, also without adjustment of the analyzers. This entire procedure was performed for NO and then for NO₂. Throughout the linearity test, the analyzer indications of

both NO and NO₂ concentrations were recorded, even though only NO or NO₂ were supplied to the analyzers. This procedure provided data to assess the cross-sensitivity to NO and NO₂.

3.2.2 Detection Limit

Data from zero gas and from 10 percent of full-scale points in the linearity test were used to establish the NO and NO₂ detection limits of the analyzers, using a statistical procedure defined in the test/QA plan.⁽¹⁾

3.2.3 Response Time

During the NO and NO₂ linearity tests, upon switching from zero gas to an NO or NO₂ concentration of 70 percent of the respective full scale (i.e., about 2,100 ppm NO or 350 ppm NO₂), the analyzers' responses were recorded at 10-second intervals until fully stabilized. These data were used to determine the response times for NO and for NO₂, defined as the time to reach 95 percent of final response after switching from zero gas to the calibration gas.

3.2.4 Interrupted Sampling

After the zero and span checks that completed the linearity test, the Testo analyzers were shut down (i.e., their electrical power was turned off overnight), ending the first day of laboratory testing. The next morning the analyzers were powered up, and the same zero gas and span concentrations were run without adjustment of the analyzers. Comparison of the NO and NO₂ zero and span values before and after shutdown indicated the extent of zero and span drift resulting from the shutdown. Near full-scale NO and NO₂ levels (i.e., 3,000 ppm NO and 493.2 ppm NO₂) were used as the span values in this test.

3.2.5 Interferences

Following analyzer startup and completion of the interrupted sampling test, the second day of laboratory testing continued with interference testing. This test evaluated the response of the Testo analyzers to species other than NO and NO₂. The potential interferants listed in Table 3-2 were supplied to the analyzers one at a time, and the NO and NO₂ readings of the analyzers were recorded. The potential interferants were single components, except for a mixture of SO₂ and NO, which was intended to assess whether SO₂ in combination with NO produced a bias in NO response.

The CO, CO₂, SO₂, and NH₃ mixtures used in the interference test were all obtained as Certified Master Class Calibration Standards from Scott Technical Gases, at the concentrations indicated in Table 3-2. The indicated concentrations were certified by the manufacturer to be accurate within ± 2 percent, based on analysis. The CO, CO₂, and NH₃ mixtures were all in ultra-high purity (UHP) air, and the SO₂ mixture was in UHP nitrogen. The SO₂/NO mix listed in Table 3-2 was prepared by diluting the SO₂ standard with the NO Protocol Gas using the Environics 2020.

Table 3-2. Summary of Interference Tests Performed

Interferant	Interferant Concentration
CO	496 ppm
CO ₂	5.03%
SO ₂	501 ppm
NH ₃	494 ppm
Hydrocarbon Mixture*	485 ppm C ₁ , 98 ppm C ₂ , 48 ppm C ₃ + C ₄
SO ₂ and NO	451 ppm SO ₂ + 385 ppm NO

*C₁ = methane; C₂ = ethane; and C₃ + C₄ = 24 ppm propane + 24 ppm n-butane.

The hydrocarbon mixture listed in Table 3-2 was prepared at Battelle in UHP hydrocarbon-free air, starting from the pure compounds. Small quantities of methane, ethane, propane, and n-butane were injected into a cylinder that was then pressurized with UHP air. The required hydrocarbon concentrations were approximated by the preparation process, and then quantified by comparison with a NIST standard containing 8.61 ppm carbon (ppmC) in the form of propane. Using a gas chromatograph with a flame ionization detector (FID) the NIST standard was first analyzed twice, producing peak areas of 18,627 and 18,791 area units per 8.61 ppmC of propane. The average FID response factor (18,709 units (\pm 116 units)/8.61 ppmC) was then used to determine the concentrations of the components of the prepared hydrocarbon mixture. Two analyses of that mixture both gave a result of 485 ppm methane; the corresponding results for ethane were 97 and 98 ppm; for propane 23 and 24 ppm; and for n-butane 24 and 25 ppm.

In the interference test, each interferant in Table 3-2 was provided individually to the sampling manifold shown in Figure 3-2, at a flow in excess of that required by the two analyzers. Each period of sampling an interferant was preceded by a period of sampling the appropriate zero gas.

3.2.6 Pressure Sensitivity

The pressure sensitivity test was designed to quantify the dependence of analyzer response on the pressure in the sample gas source. By means of two valves at the downstream end of the sample manifold (Figure 3-1), the pressure in the manifold could be adjusted above or below the ambient room pressure, while supplying the manifold with a constant ppm level of NO or NO₂ from the Environics dilution system. This capability was used to determine the effect of the sample gas pressure on the sample gas flow rate drawn by the analyzers, and on the NO and NO₂ response.

The dependence of sample flow rate on pressure was determined using an electronically timed bubble flow meter (Ultra Flow Primary Gas Flow Calibrator, Model 709, Serial No. 010928;

SKC, Inc.). This flow meter was connected in line (i.e., inserted) into the sample flow path from the manifold to one of the commercial analyzers. Zero gas was supplied to the manifold at ambient pressure, and the analyzer's sample flow rate was measured with the bubble meter. The manifold pressure was then adjusted to -10 inches of water relative to the room, and the analyzer's flow rate was measured again. The manifold pressure was adjusted to +10 inches of water relative to the room, and the flow rate was measured again. The bubble meter was then moved to the sample inlet of the other commercial analyzer, and the flow measurements were repeated.

The dependence of NO and NO₂ response on pressure was determined by sampling the appropriate zero gas, and an NO or NO₂ span gas equivalent to 70 percent of the respective full scale, at each of the same manifold pressures (room pressure, -10 inches, and +10 inches). This procedure was conducted simultaneously on both analyzers, first for NO at all three pressures, and then for NO₂ at all three pressures. The data at different pressures were used to assess zero and span drift resulting from the sample pressure differences.

3.2.7 Ambient Temperature

The purpose of the ambient temperature test was to quantify zero and span drift that may occur as the analyzers are subjected to different temperatures during operation. This test involved providing both analyzers with zero and span gases for NO and NO₂ (at the same 70 percent of nominal range values used in the flow rate test) at room, elevated, and reduced temperatures. A temperature range of 45 to 105°C (113 or 221°F) was targeted in this test. The elevated temperature condition was achieved using a 1.43 m³ steel and glass laboratory chamber, thermostated at 40.56°C (105°F) using external heat lamps. The reduced temperature condition was achieved using a conventional domestic refrigerator (Crosley Model CT19A5W) with a refrigerator volume of 13.1 ft³.

The general procedure was to provide zero and span gas for NO, and then for NO₂, to both analyzers at room temperature, and then to place both analyzers and the sampling manifold into the heated chamber. Electrical and tubing connections were made through a small port in the lower wall of the chamber. A thermocouple readout was used to monitor the chamber temperature and room temperature, and the internal temperature indications of the analyzers themselves were monitored, when available. After 1 hour or more of stabilization in the heated chamber, the zero and span tests were repeated. The analyzers, manifold, and other connections were then transferred to the refrigerator. After a stabilization period of 1 hour or more, the zero and span checks were repeated at the reduced temperature. The analyzers were returned to the laboratory bench; and, after a 1-hour stabilization period, the zero and span checks were repeated a final time.

The Testo analyzers employ temperature computation circuitry, which minimizes the impact of ambient temperature changes. For the ambient temperature test, the compensation was disabled, in order to assess the worst-case behavior that might result with the analyzers. Thus the results of the ambient temperature test must be viewed as an upper bound of the ambient temperature dependence to be expected in normal use.

3.3 Combustion Source Tests

3.3.1 Combustion Sources

Three combustion sources (a gas rangetop, a gas residential water heater, and a diesel engine) were used to generate NO_x emissions from less than 10 ppm to nearly 500 ppm. Emissions databases for two of these sources (rangetop and water heater) exist as a result of prior measurements, both of which have been published.^(4,5)

3.3.1.1 Rangetop

The low-NO_x source was a residential natural gas fired rangetop (KitchenAid Model 1340), equipped with four cast-iron burners, each with its own onboard natural gas and combustion air control systems. The burner used (front-left) had a fixed maximum firing rate of about 8 KBtu/hr.

The rangetop generated NO in the range of about 4 to 8 ppm, and NO₂ in the range of about 1 to 3 ppm. The database on this particular appliance was generated in an international study in which 15 different laboratories, including Battelle, measured its NO and NO₂ emissions.⁽⁴⁾

Rangetop NO_x emissions were diluted prior to measurement using a stainless-steel collection dome, fabricated according to specifications of the American National Standards Institute (ANSI Z21.1).⁽⁶⁾ For all tests, this dome was elevated to a fixed position 2 inches above the rangetop surface. Moreover, for each test, a standard “load” (pot) was positioned on the grate of the rangetop burner. This load was also designed according to ANSI Z21.1 specifications regarding size and material of construction (stainless steel). For each test, the load contained 5 pounds of room-temperature water.

The exit of the ANSI collection dome was modified to include seven horizontal sample-probe couplers. One of these couplers was 1/4-inch in size, three were 3/8-inch in size, and three were 1/2-inch in size. These were available to accommodate various sizes of vendor probes, and one reference probe, simultaneously during combustion-source sampling.

This low-NO_x combustion source was fired using “standard” natural gas, obtained from Praxair, Inc., which was certified to contain 90 percent methane, 3 percent ethane, and the balance nitrogen. This gaseous fuel contained no sulfur.

3.3.1.2 Water Heater

The medium-NO_x source was a residential natural gas-fired water heater (Ruud Model P40-7) of 40-gallon capacity. This water heater was equipped with one stamped-aluminum burner with its own onboard natural gas and combustion air control systems, which were operated according to manufacturer’s specifications. The burner had a fixed maximum firing rate of about 40 KBtu/hr. Gas flow to the water heater was monitored using a calibrated dry-gas meter.

The water heater generated NO emissions in the range of 50 to 70 ppm, and NO₂ in the range of 5 to 10 ppm. NO_x emissions dropped as the water temperature rose after ignition, stabilizing at

the levels noted above. To assure constant operation of the water heater, a continuous draw of 3 gpm was maintained during all verification testing. The database on this particular appliance was generated in a national study in which six different laboratories measured its emissions, including Battelle.⁽⁵⁾

Water heater NO_x emissions were not diluted prior to measurement. The draft hood, integral to the appliance, was replaced with a 3-inch diameter, 7-inch long stainless-steel collar. The exit of this collar was modified to include five horizontal sample-probe couplers. One coupler was 1/4-inch in size, whereas the two other pairs were either 3/8- or 1/2-inch in size. Their purpose was to hold two vendor probes and one reference probe simultaneously during sampling.

This medium-NO_x combustion source was fired on house natural gas, which contained odorant-level sulfur (4 ppm mercaptan). The composition of this natural gas is essentially constant, as monitored by a dedicated gas chromatograph in Battelle's laboratories.

3.3.1.3 Diesel Engine

The high-NO_x source was an industrial diesel 8 kW electric generator (Miller Bobcat 225D Plus), which had a Deutz Type ND-151 two-cylinder engine generating 41 KBtu/hr (16 horsepower). This device generated NO_x emissions over a range of about 150 to 450 ppm, depending on the load on the super-charged engine. High load (3,500 RPM) resulted in the lowest NO_x; idle (2000 RPM) resulted in the highest NO_x. At both conditions, about one-third of the NO_x was NO₂. The database on diesel generator emissions was generated in tests conducted in the 2 weeks prior to the start of the verification tests.

NO_x emissions from this engine were not diluted prior to measurement. The 1-inch exhaust outlet of the engine, which is normally merely vented to the atmosphere, was fitted with a stack designed to meet the requirements of the U.S. EPA (Method 5).⁽⁹⁾ The outlet was first expanded to 2 inches of 1.5-inch diameter copper tubing, then to 15 inches of 2-inch diameter copper tubing, and finally to 2 inches of 3-inch diameter copper tubing. The 3-inch diameter tubing was modified to include five horizontal sample-probe couplers. One of these couplers was 1/4-inch in size, two were 3/8-inch in size, and two were 1/2-inch in size. These couplers held the sample probes in place. The 3-inch tube was connected to a 3-inch stack extending through the roof of the test laboratory. This high-NO_x combustion source was fired on commercial diesel fuel, which, by specification, contains only 0.03 to 0.05 weight percent sulfur.

3.3.2 Test Procedures

The procedures followed during combustion source testing consisted of those involved with the sampling systems, reference method, calibration gas supply, and the sources, as follows.

3.3.2.1 Sampling Systems

Prior to sampling, the Testo representative inserted two of his product's probes into the exhaust duct of the rangetop, water heater, or diesel engine. The Testo probes were fitted one above the other, sampling from a point within about 1/4 inch of the inlet of the reference analyzers' probe.

The reference analyzer probe consisted of a 26-inch long, 1/4-inch diameter stainless-steel tube, the upstream 2 inches of which were bent at a right angle for passage into the center of the source exhaust duct. Each combustion source had a dedicated sampling probe, connected to the reference analyzers with 1/4-inch tubing. The lengths of sample-transfer tubing required to connect vendor instruments to the rangetop, water heater, and diesel engine were about 4 feet, 4 feet, and 8 feet, respectively. The lengths of sample-transfer tubing required to connect reference instruments to the rangetop, water heater, and diesel engine were about 7 feet, 9 feet, and 4 feet, respectively.

The Testo 350 analyzers were each operated with their own sample probe and/or sample transfer lines, and with the Model 339 conditioners to dry and filter the sample. Neither the reference sampling probe nor the reference sample-transfer lines were heated. Visible condensation of combustion-generated water did not occur. The reference analyzer moisture-removal system consisted of a simple ice bath (0°C, 32°F). The reference particulate-removal system consisted of a 47-millimeter in-line quartz filter.

3.3.2.2 Reference Method

The reference method of NO determination against which the vendor analyzers were compared was the ozone chemiluminescence method for NO that forms the basis of EPA Method 7E.⁽²⁾ The reference measurements were made using a Model 10 and a Model 14A source-level NO_x monitor (both from Thermo Environmental Instruments), located side-by-side near the combustion sources. These monitors sampled from a common intake line and operated on identical ranges of 100 ppm or 1,000 ppm full scale, depending on the source. Both instruments use stainless steel catalytic converters maintained at 650°C (1,202°F) for reduction of NO₂ to NO for detection. Digital electronic voltmeters were connected directly to the amplifier output of the monitors, to provide direct digital display of the data. The Model 10 and 14A monitors provide sequential, rather than simultaneous, measurement of NO and NO_x, so display of both readings required manual switching of sampling modes on both instruments. This requirement resulted in the NO and NO_x readings from the reference analyzers being separated in time by about 15 seconds, due to the stabilization needed after switching. This effect is believed to have negligible impact on the verification results due to the stability of source emissions.

The chemiluminescence analyzers were calibrated repeatedly using the EnviroNics Series 100 and the EPA Protocol 1 gases. The calibration procedure was specified in the test/QA plan, and required calibration at zero, 30 percent, 60 percent, and 100 percent of the applicable range value (i.e., 100 or 1,000 ppm). Calibration results closest in time to the verification source test were used to establish scale factors applicable to the source test data. The conversion efficiency of the stainless steel converters was determined by calibrating with both NO and NO₂ on the applicable

ranges, using the EPA Protocol 1 gases. The ratio of the linear regression slope of the NO₂ calibration to that of the NO calibration determined the NO₂ conversion efficiency. For the Testo source tests, which took place on February 1, 1999, calibration data from January 29 were applied. Conversion efficiency values of 84.4 percent and 87.2 percent were found for the Model 14A and Model 10 monitors, respectively, and all reference analyzer results were corrected to account for these conversion efficiencies.

3.3.2.3 Calibration Gas Supply

Before and after sampling of each combustion source, both the analyzers undergoing testing and the reference analyzers were supplied with zero gas and with standard NO and NO₂ mixtures at levels comparable to those expected from the source. To prepare these mixtures, Protocol 1 gases identical to those used in the laboratory testing were diluted using an Environics Series 100 Computerized Multi-Gas Calibrator (Serial Number 2416). The same Acid Rain CEM zero gases were used for dilution and zeroing as were used in the laboratory tests. When low dilution ratios were required for some calibration points, Tylan FC-260 (3 lpm) and FC-280 (5 lpm) mass flow controllers were used instead of the Environics calibrator. The Tylan flow controllers were calibrated using the same SKC electronic bubble flow meter used in the laboratory tests, and were operated with a Tylan four-unit control and readout device. The pre- and post-test span values used with each combustion source are given in Table 3-3.

Table 3-3. Span Concentrations Provided Before and After Each Combustion Source

Source	NO Span Level (ppm)	NO ₂ Span Level (ppm)
Gas Rangetop	20	10
Gas Water Heater	100	15
Diesel-High RPM	200	50
Diesel-Idle	400	100

The pre- and post-test zero and span values were used to assess the readiness of the test equipment to start the combustion test, and to assess the drift in zero and span response of the tested analyzers caused by exposure to source emissions.

3.3.2.4 Operation of Sources

Verification testing was conducted with the combustion sources at or near steady-state in terms of NO_x emission. For the rangetop, steady-state was achieved after about 15 minutes, when the water began to boil. For the water heater, steady-state was achieved in about 15 minutes, when its water was fully heated. Because the water heater tank had a thermostat, cycling would have occurred had about 3 gpm of hot water not been continuously drained out of the tank.

For the diesel engine, steady-state was achieved in about 10 minutes of operation. The diesel was operated first at full speed (3,500 RPM) to achieve its lowest NO_x emissions. Prior to sampling the NO_x emissions at idle, the diesel engine was operated at idle for about 20 minutes to effectively “detune” its performance.

The order of operation of the combustion sources was (1) rangetop, (2) water heater, (3) diesel engine (high RPM), and (4) diesel engine (idle). This allowed the analyzers to be exposed to continuously increasing NO and NO₂ levels, and avoided interference in low level measurements that might have resulted from prior exposure to high levels.

Sampling of each combustion source consisted of obtaining nine separate measurements of the source emissions. After sampling of pre-test zero and span gases provided from the calibration source, and with both the reference and vendor analyzers sampling the source emissions, the Testo operator indicated when he was ready to take the first set of readings (a set of readings consisting of the NO and NO₂ response on both Units A and B). At that time the Battelle operator of the reference analyzers also took corresponding readings. The analyzers undergoing testing were then disconnected from the source, and allowed to sample room air until readings dropped well below the source emissions levels. The analyzers were then reconnected to the source, and after stabilizing another set of readings was taken. There was no requirement that analyzer readings drop fully to zero between source measurements. This process was repeated until a total of nine readings had been obtained with both the vendor and reference analyzers. The same zero and span gases were then sampled again before moving to the next combustion source.

One addition to this procedure was the extended sampling test, conducted as the last operation in the combustion source testing. This test involved continuous sampling of the diesel engine emissions for a full hour with no intervals of room air sampling. Data were recorded for both reference and vendor analyzers at 1-minute intervals throughout that hour of measurement. This test was conducted only after nine sequential sets of readings had been obtained from all the combustion sources by the procedure described above.

Chapter 4

Quality Assurance/Quality Control

Quality control (QC) procedures were performed in accordance with the quality management plan (QMP) for the AMS pilot⁽⁷⁾ and the test/QA plan⁽¹⁾ for this verification test.

4.1 Data Review and Validation

Test data were reviewed and approved according to the AMS pilot QMP, the test/QA plan, and Battelle's one-over-one approval policy. The Verification Testing Leader reviewed the raw data and data sheets that were generated each day and approved them by adding his signature and date. Laboratory record notebooks were also reviewed, signed, and dated by the Verification Testing Leader.

Other data review focused upon the compliance of the chemiluminescent reference analyzer data with the quality requirements of Method 7E. The purpose of validating reference data was to ensure usability for the purposes of comparison with the demonstration technologies. The results of the review of the reference analyzer data quality are shown in Table 4-1. The data generated by the reference analyzers were used as a baseline to assess the performance of the technologies for NO/NO₂ analysis.

4.2 Deviations from the Test/QA Plan

During the physical set up of the verification test, deviations from the test/QA plan were made to better accommodate differences in vendor equipment, availability of Battelle personnel and equipment, and other changes or improvements. Any deviation required the approval signature of Battelle's Verification Testing Leader and the pilot manager. A planned deviation form was used for documentation and approval of the following changes:

1. Dr. Agnes Kovacs did not participate in the statistical analysis of data from the verification test.
2. The order of testing was changed, and a span value of 70 percent of range (rather than 100 percent) was used in the pressure sensitivity test.
3. The order of the ambient temperature test was changed.
4. The exact concentrations used in the mixture of SO₂ and NO for the interference test were changed.
5. A different diesel generator was used than that originally planned.

6. An oxygen sensor was not used during source tests.
7. Thermo Environmental Models 14A/10 NO/NO_x analyzers were used for reference method.
8. Triplicate calibration points were not run on reference method analyzers.
9. Unheated sample line and tubing were used, based on Battelle's previous experience in sampling of the combustion sources used in this test and other similar sources.

Table 4-1. Results of QC Procedures for Reference NO_x Analyzers for Testing of Testo 350 Analyzers

NO ₂ conversion efficiency	84.4% for Model 14A in 100 ppm and 1,000 ppm ranges						
NO ₂ conversion efficiency	87.2% for Model 10 in 100 ppm and 1,000 ppm ranges						
Calibration of reference method using four points at 0, 30, 60, 100% for NO	Meets criteria (r ² = 0.9999)						
Calibration of reference method using four points at 0, 30, 60, 100% for NO ₂	Meets criteria (r ² = 0.9999)						
Calibrations (100 ppm range)	Meet ± 2% requirement (relative to span)	Model 10		Model 14A			
		NO		NO			
		Error, % of Span	% of Scale	Error, % of Span	% of Scale		
		0.3%	30%	0.3%	30%		
		0.1%	60%	<0.1%	60%		
		NO ₂		NO ₂			
		Error, % of Span	% of Scale	Error, % of Span	% of Scale		
		<0.1%	30%	0.4%	30%		
		<0.1%	60%	0.5%	60%		
Zero drift	Meets ± 3% requirement (relative to span)						
Span drift	Meets ± 3% requirement (relative to span) on all combustion sources						
Interference check	< ± 7% (no interference response observed)						

There was one undocumented deviation. Due to a delay in the arrival of the protocol gases used in the verification test, Battelle was not able to run one instrument through the entire test sequence prior to verification testing. The impact of this deviation on the final data is described in the Performance System Audits section of this report.

4.3 Calibration of Laboratory Equipment

Equipment used in the verification test required calibration before use. Equipment types and calibration dates are listed in Table 4-2. Documentation for calibration of the following equipment was required before use in the verification test, and was maintained in the test file.

Table 4-2. Equipment Type and Calibration Date

Equipment Type	Calibration Date/ Temperature Check
Flow Controllers (Gas Dilution System) Environics Series 100	6/11/98
Flow Controllers (Gas Dilution System) Environics Model 2020	12/16/98
Digital Temperature Indicator Model 402A	1/7/99
Dwyer Magnahelic Pressure Gauge	1/11/99
Model R-275 In-line Dry Gas Meter	1/11/99
Doric Trendicator 400A Thermocouple Temperature Sensor	1/18/99
Model DTM-115 Reference Dry Gas Meter	9/22/98

4.4 Standard Certifications

Standard or certified gases were used in all verification tests, and certifications or analytical data were kept on file to document the traceability of the following standards:

- # EPA Protocol Gas Nitrogen Dioxide
- # EPA Protocol Gas Nitric Oxide
- # Certified Master Class Calibration Standard Sulfur Dioxide
- # Certified Master Class Calibration Standard Carbon Dioxide
- # Certified Master Class Calibration Standard Ammonia
- # Certified Master Class Calibration Standard Carbon Monoxide
- # Nitrogen Acid Rain CEM Zero
- # Acid Rain CEM Zero Air
- # Battelle-Prepared Organics Mixture.

All other QC documentation and raw data for the verification test are located in the test file at Battelle, to be retained for 7 years and made available for review if requested.

4.5 Performance System Audits

Internal and external performance system audits were conducted and the results are summarized in the following sections.

4.5.1 Internal Audits

Three internal audits were conducted during verification testing. A technical systems audit was conducted to assess the physical setup of the test, a performance evaluation audit was conducted to evaluate the accuracy of the measurement system, and an audit of data quality was conducted on 10 percent of all data generated during the verification test. A summary of the results of these audits is provided below.

4.5.1.1 Technical Systems Audit

A technical systems audit is a qualitative onsite audit of the physical setup of the test. The auditors determine the compliance of testing personnel with the test/QA plan. A self-assessment is required for each test as outlined in the AMS pilot QMP. The QA/QC Reviewer for the verification test conducted the internal technical systems audit on January 18, 1999. Observations and findings from this audit are listed in Table 4-3.

4.5.1.2 Performance Evaluation Audit

The performance evaluation audit was a quantitative audit in which measurement standards were independently obtained and compared with those used in the verification test to evaluate the accuracy of the measurement system. One such assessment was conducted by Battelle QA staff on February 4, 1999. No independent assessments of this type were conducted by EPA staff.

The performance evaluation (PE) samples were NO and NO₂ calibration gases independent of the test calibration standards containing certified concentrations of NO and NO₂. Accuracy of the reference analyzers was determined by comparing the measured NO/NO₂ concentrations using the verification test standards with those obtained using the certified PE values. Percent difference was used to quantify the accuracy of the results. The PE sample for NO was an EPA protocol gas having nearly the same concentration as the NO standard used in verification testing, but purchased from a different commercial supplier. The PE standard for NO₂ was a commercial standard of 50.5 ppm NO₂ in air, whose concentration had been confirmed by comparison with a 50 ppm standard reference material of NO in nitrogen, obtained from the National Institute of Standards and Technology. Table 4-4 summarizes the reference method performance evaluation results. Included in this table are the performance acceptance ranges and the certified gas concentration values. The acceptance ranges are guidelines established by the provider of the PE materials to gauge acceptable analytical results. As shown in Table 4-4, all of the observed concentrations were well within the acceptance ranges.

Table 4-3. Observations and Findings from the Internal Technical Systems Audit

Observation/Finding	Corrective Action/Impact on Final Data
<p>Method 7E calibration was not completed prior to verification testing. Analyzers gave unreliable results during first test, which prompted a calibration on 1/13/99. Full four-point calibration was not performed until 1/15/99 on the 0-100 range and 1/16/99 on the 0-1000 range for both Models 14A and 10. All criteria meet stated objectives in Method 7E for the calibration (linearity, calibration error) performed on the 15th and 16th.</p>	<p>Vendor source testing that was conducted prior to the first full four-point Method 7E calibration (Testo) was repeated at a later date. Thus all vendor testing was conducted with fully calibrated reference analyzers. There is no impact on verification data because the first vendor test was repeated after Method 7E calibration was implemented.</p>
<p>From Pressure Sensitivity Test conducted 1/12/99 (vendor: Testo) an explanation is needed of correction factor to be applied to data.</p>	<p>The O₂ sensors of the vendor's analyzers showed the presence of O₂ in the sample gas at a time when only NO in pure N₂ was being provided to the analyzers. This indicated a leakage of air into the sample manifold (which was at reduced pressure relative to the room). The amount of dilution caused by the leakage of air was calculated from the O₂ level observed, and exactly accounted for an apparently low NO response from the vendor's analyzers. That is, the O₂ data were used to correct the observed NO responses to what they would have been with no air leakage.</p>
<p>Start and stop time for instruments to equilibrate at each temperature is not noted on data sheets.</p>	<p>Added start and stop time to data sheets as a method to document equilibration.</p>
<p>Calibration drift for all data reviewed is less than ± 3% relative to the span except Model 10 span post-test on 1/14/99 for diesel engine test which = 3.6%. Data for test should be flagged at minimum.</p>	<p>All source tests with the Testo analyzers were repeated including those that already met the 3% requirement. No impact on final data.</p>
<p>Data and calculations for calibration drift test not found on test data sheets. Recommend a better system be implemented for assessing quality of the calibration drift for reference analyzers immediately following collection of test data so decision whether or not to proceed is clear to all participants.</p>	<p>Comparison of drift is easily made visually; written comments will be added if termination of a test is called for.</p>
<p>Zero/span values are documented on diesel engine test data sheets for all tests except on 01-13-98 post-test blank with no explanation.</p>	<p>This test was terminated. Notes were added as suggested and the test was later repeated in its entirety.</p>

Table 4-4. Performance Evaluation Results

		Reading (V)	Zero (V)	Zero Corrected	Apparent Concentration*	Percent Difference**	Limits
Unit 14A	NO in N ₂ (ppm)						
Test Std	3,925	9.92	0.01	9.91	3905.3	0.5%	± 2%
PE Std	3,988	10.13	0.01	10.12			
Unit 10	NO in N ₂ (ppm)						
Test Std	3,925	1.01	-0.01	1.03	3895.7	0.7%	± 2%
PE Std	3,988	1.04	-0.01	1.05			
Unit 14A	NO ₂ in Air (ppm)						
Test Std	50.0***	4.40	0.01	4.39	48.7	2.5%	± 5%
PE Std	50.5	4.56	0.02	4.54			
Unit 10	NO ₂ in Air (ppm)						
Test Std	50.0***	0.44	-0.01	0.45	50.0	0.1%	± 5%
PE Std	50.5	0.44	-0.01	0.45			

* Concentration of Test Standard indicated by comparison to the Performance Evaluation Standard

** Percent difference of apparent concentration Relative to Test Standard concentration.

*** Prepared by dilution of 493.2 ppm NO₂ Protocol Gas.

4.5.1.3 Audit of Data Quality

The audit of data quality is a qualitative and quantitative audit in which data and data handling are reviewed and data quality and data usability are assessed. Audits of data quality are used to validate data at the frequency of 10 percent and are documented in the data audit report. The goal of an audit of data quality is to determine the usability of test results for reporting technology performance, as defined during the design process. Validated data are reported in the ETV verification reports and ETV verification statement along with any limitations on the data and recommendations for limitations on data usability.

The QA/QC Reviewer for the verification test audited 10 percent of the raw data. Test data sheets and laboratory record books were reviewed, and calculations and other algorithms were verified. Calibration drift test results were calculated and compared to the Method 7E criteria. Calculations that were used to assess the four-point calibration of the reference method were also verified to be correct.

Review of vendor and reference method data sheets revealed the following discrepancy which may have an impact on data quality:

1. Flow Rate Sensitivity Test 1/12/99, leak in system requiring correction factor.

As described in Table 4-3, a correction factor based on oxygen readings was applied to the Testo data in one portion of the pressure sensitivity test. Although the physical basis for this correction is clear, the accuracy of the correction was not corroborated by multiple oxygen measurement systems. Nevertheless, the impact of this uncertainty on data quality is minimal.

4.5.2 External Audit

EPA conducted an on-site technical systems audit during the verification testing. This audit was conducted to observe and evaluate whether the verification team followed the test/QA plan. The external technical systems audit report is attached in Appendix B and the assessment is summarized below.

The auditors assessed the verification test procedures and personnel against the *Quality Management Plan for the ETV Advanced Monitoring Systems Pilot*,⁽⁷⁾ the *Test/QA Plan for Verification of Portable NO/NO₂ Emission Analyzers*,⁽¹⁾ and *U.S. EPA Method 7E Determination of Nitrogen Oxides Emissions from Stationary Sources (Instrumental Analyzer Procedure)*.⁽²⁾ The auditors were on site from January 20, 1999, through January 21, 1999. The technical systems audit was performed on the flow rate and ambient temperature laboratory tests and the relative accuracy tests with the gas rangetop, water heater, and a portion of the high RPM emissions of the diesel generator. No performance evaluations were conducted as a part of this audit.

This external technical systems audit showed that the verification test was well managed, particularly considering its complexity. All personnel appeared to be well trained for their particular duties. All involved showed enthusiasm and ingenuity during the verification testing. Personnel were very familiar with the test/QA plan. With one exception, differences for this verification test from the original test/QA plan were well documented by deviation reports on file at Battelle. The deviation report format includes a date, cites the deviation, provides an explanation of the deviation, and requires a Battelle approval signature. It was impressive that the deviation reports were present and were completed up front.

Two major findings resulted from this external technical systems audit. First, as a result of a delay in the arrival of the protocol gases used in the verification test, Battelle was not able to run one of the instruments through the test sequence prior to the first test. This undocumented deviation was from Section 5.6 of the test/QA plan, Test Schedule, and stated "To avoid bias in testing of the first analyzers through the sequence, Battelle's personnel will first conduct the entire test sequence using an analyzer already on hand at Battelle. Testing will then continue with analyzers named in Section 2.4." Second, the test/QA plan states that "The chemiluminescent monitors to be used for Method 7E reference measurements will be subjected to a four-point calibration with NO prior to the start of verification testing, on each measurement range to be used for verification." The combustion source tests were started on January 13, 1999. No four-point calibration with NO was recorded in the combustion source testing laboratory notebook prior to

January 13. This finding is also a finding in Battelle’s internal audit conducted during the first week of the verification test.

The impact of these two findings on the data presented in this report is as follows. Although Battelle did not run an instrument through the entire test sequence prior to initiating testing, each component of the test system was checked independently. Therefore, the absence of this pre-test check will not impact the final data. The lack of initial calibration would impact the final data, however, which is why the decision was made to retest all portions of the verification test in question with the first vendor (Testo) for all emission source test data collected January 13-14, 1999.

Chapter 5 Statistical Methods

5.1 Laboratory Tests

The analyzer performance characteristics were quantified on the basis of statistical comparisons of the test data. This process began by converting the spreadsheet files that resulted from the data acquisition process into data files suitable for evaluation with Statistical Analysis System (SAS) software. The following statistical procedures were used to make those comparisons.

5.1.1 Linearity

Linearity was assessed by linear regression with the calibration concentration as the independent variable and the analyzer response as the dependent variable. Separate assessments were carried out for each Testo analyzer. The calibration model used was

$$Y_c = h(c) + error_c \quad (1)$$

where Y_c is the analyzer's response to a challenge concentration c , $h(c)$ is a linear calibration curve, and the error term was assumed to be normally distributed. (If the variability is not constant throughout the range of concentrations then weighting in the linear regression is appropriate. It is often the case that the variability increases as the true concentration increases.) The variability (σ_c) of the measured concentration values (c) was modeled by the following relationship,

$$\sigma_c^2 = \alpha + kc^\beta \quad (2)$$

where α , k , and β are constants to be estimated from the data. After determining the relationship between the mean and variability, appropriate weighting was determined as the reciprocal of the variance.

$$weight = w_c = \frac{1}{\sigma_c^2} \quad (3)$$

The form of the linear regression model fitted was $h(c) = \alpha_o + \alpha_1 c$. In the concentration sub-region where the linear calibration model provides a valid representation of the concentration-response relation, concentration values were calculated from the estimated calibration curve using the relation

$$\hat{c} = \hat{h}^{-1}(Y_c) = \frac{Y_c - \hat{\alpha}_o}{\hat{\alpha}_1} \quad (4)$$

A test for departure from linearity was carried out by comparing the residual mean square

$$\frac{1}{4} \sum_{i=1}^6 (\bar{Y}_{c_i} - \alpha_o - \alpha_1 c_i)^2 n_{c_i} w_{c_i} \quad (5)$$

to an F-distribution with $6 - 2 = 4$ numerator degrees of freedom.

\bar{Y}_{c_i} is the average of the n_{c_i} analyzer responses at the i^{th} calibration concentration, c_i . The regression relation was fitted to the individual responses; however, only the deviation about the sample mean analyzer responses at each calibration concentration provide information about goodness-of-fit.

$$\sum_{i=1}^n \sum_{j=1}^{n_{c_i}} (Y_{cij} - \alpha_o - \alpha_1 c_i)^2 w_{c_i} = \sum_{i=1}^n \sum_{j=1}^{n_{c_i}} (Y_{cij} - \bar{Y}_{c_i})^2 w_{c_i} + \sum_{i=1}^n (\bar{Y}_{c_i} - \alpha_o - \alpha_1 c_i)^2 n_{c_i} w_{c_i}$$

The first summation on the right side of the equation provides information only about response variability. The second summation provides all the information about goodness-of-fit to the straight-line calibration model. This is the statistic that is used for the goodness-of-fit test.

5.1.2 Detection Limit

Limit of detection (LOD) is defined as the smallest true concentration at which an analyzer's expected response exceeds the calibration curve at zero concentration by three times the standard deviation of the analyzer's zero reading, i.e., $\alpha_o + 3 \sigma_o$, if the linear relation is valid down to zero. The LOD may then be determined by

$$LOD = \frac{[(\alpha_o + 3\sigma_o) - \alpha_o]}{\alpha_1} = \frac{3\sigma_o}{\alpha_1} \quad (6)$$

where σ_o is the estimated standard deviation at zero concentration. The LOD is estimated as $LOD = 3\hat{\sigma}_o / \hat{\alpha}_1$. The standard error of the estimated detection limit is approximately

$$\hat{SE} (\hat{L}OD) \cong \hat{L}OD \sqrt{\frac{1}{2(n-1)} + \left(\frac{SE(\hat{a}_1)}{\hat{a}_1}\right)^2}$$

Note that the validity of the detection limit estimate and its standard error depends on the validity of the assumption that the fitted linear calibration model accurately represents the response down to zero concentration.

5.1.3 Response Time

The response time of the analyzers to a step change in analyte concentration was calculated by determining the total change in response due to the step change in concentration, and then determining the point in time when 95 percent of that change was achieved. Using data taken every 10 seconds, the following calculation was carried out:

$$\text{Total Response} = R_c - R_z$$

where R_c is the final response of the analyzer to the calibration gas and R_z is the final response of the analyzer to the zero gas. The analyzer response that indicates the response time then is:

$$\text{Response}_{95\%} = 0.95(\text{Total Response}) + R_z.$$

The point in time at which this response occurs was determined by inspecting the response/time data, linearly interpolating between two observed time points, as necessary. The response time was calculated as:

$$RT = \text{Time}_{95\%} - \text{Time}_1,$$

where $\text{time}_{95\%}$ is the time at which Response_{RT} occurred and Time_1 is the time at which the span gas was substituted for the zero gas. Since only one measurement was made, the precision of the response time was not determined.

5.1.4 Interrupted Sampling

The effect of interrupted sampling is the arithmetic difference between the zero data and between the span data obtained before and after the test. Differences are stated as ppm. No estimate was made of the precision of the observed differences.

5.1.5 Interferences

Interference is reported as both the absolute response (in ppm) to an interferant level, and as the sensitivity of the analyzer to the interferant species, relative to its sensitivity to NO or NO₂. The relative sensitivity is defined as the ratio of the observed NO/NO₂/NO_x response of the analyzer to the actual concentration of the interferant. For example, an analyzer that measures NO is

challenged with 500 ppm of CO, resulting in an absolute difference in reading of 1 ppm (as NO). The relative sensitivity of the analyzer is thus 1 ppm/500 ppm = 0.2 percent. The precision of the interference results was not estimated from the data obtained, since only one measurement was made for each interferant.

5.1.6 Pressure Sensitivity

At each of ambient pressure, reduced pressure (-10 inches of water), and increased pressure (+10 inches of water), the analyzer flow rate, the response on zero gas, and the response on span gas were measured for each analyzer. Variability in zero and span responses for reduced and increased pressures was assumed to be the same as the variability at ambient pressure. The variability determined in the linearity test was used for this analysis. The duct pressure effects on analyzer flow rates and response were assessed by separate linear regression trend analyses for flow rate and for response. The precision of the pressure effects on zero concentration response and on span gas response was estimated based on the variability observed in the linearity test. Statistical significance of the trends across duct pressures was determined by comparing the estimated trends to their estimated standard errors, based on two-tailed t-tests:

$$t = \hat{b} / (0.040825\mathcal{S}(c)) \text{ for the zero concentration test}$$

$$t = \hat{b} / (0.07071\mathcal{S}(c)) \text{ for the span concentration test}$$

5.1.7 Ambient Temperature

The statistical analysis for evaluation of ambient temperature effects was similar to that used for assessing the pressure sensitivity. At room temperature, low temperature, and high temperature for each analyzer the response on zero gas and the response on span gas were observed. Variability for low and for high temperatures was assumed to be the same as variability at room temperature. The ambient temperature effects on zero and span readings were assessed by trend analysis for response with temperature, using separate linear regression analyses for the zero and for the span data. Precision of the ambient temperature effect was estimated based on the variability observed in the linearity test. Statistical significance of the trends across temperatures was determined by comparing the estimated trends to their estimated standard errors, based on two-tailed t-tests:

$$t = \hat{b} / (0.01723\mathcal{S}(c)) \text{ for the zero concentration test}$$

$$t = \hat{b} / (0.024363\mathcal{S}(c)) \text{ for the span concentration test}$$

5.2 Combustion Source Tests

5.2.1 Accuracy

The relative accuracy (RA) of the analyzers with respect to the reference method is expressed as:

$$RA = \frac{|\bar{d}| + t_{n-1}^{\alpha} \frac{S_d}{\sqrt{n}}}{\bar{x}} \times 100\% \quad (7)$$

where d refers to the difference between the average of the two reference units and one of the tested units and x corresponds to the average of the two reference unit values. S_d denotes the sample standard deviation of the differences, based on $n = 9$ samples, while t_{n-1}^{α} is the t value for the $100(1 - \alpha)$ th percentile of the distribution with $n - 1$ degrees of freedom. The relative accuracy was determined for an α value of 0.025 (i.e., 97.5 percent confidence level, one-tailed). The RA calculated in this way can be determined as an upper confidence bound for the relative bias of the analyzer $|\bar{d}|/\bar{x}$, where the bar indicates the average value of the differences or of the reference values.

Assuming that the reference method variation is due only to the variation in the output source and the true bias between the test and reference methods is close to zero, an approximate standard error for RA is

$$\hat{SE} \cong \frac{S_d}{\sqrt{n} \bar{x}} \sqrt{0.3634 + (t_{n-1}^{\alpha})^2 \frac{1}{2(n-1)}} \times 100\% \quad (8)$$

5.2.2 Zero/Span Drift

Statistical procedures for assessing zero and span drift were similar to those used to assess interrupted sampling. Zero (span) drift was calculated as the arithmetic difference between zero (span) values obtained before and after sampling of each combustion source. The same calculation was also made using zero and span values obtained before and after the linearity and ambient temperature tests. No estimate was made of the precision of the zero and span drift values.

5.2.3 Measurement Stability

The temporal stability of analyzer response in extended sampling from a combustion source was assessed by means of a trend analysis on 60 minutes of data obtained continuously using the diesel generator as the source. The existence of a difference in trend between the test unit and the average of the reference units was assessed by fitting a linear regression line with the difference between the measured concentration for a test unit and the average of the reference units as the dependent variable, and time as the independent variable. Subtracting the average reference unit

values adjusts for variation in the source output. The slope and the standard error of the slope are reported. The null hypothesis that the slope of the trend line on the difference is zero was tested using a one-sample two-tailed t-test with $n - 2 = 58$ degrees of freedom.

5.2.4 Inter-Unit Repeatability

The purpose of this comparison was to determine if any significant differences in performance exist between two identical analyzers operating side by side. In tests in which analyzer performance was verified by comparison with data from the reference method, the two identical units of each type of analyzer were compared to one another using matched pairs t-test comparisons. In tests in which no reference method data were obtained (e.g., linearity test), the two units of each analyzer were compared using statistical tests of difference. For example, the slopes of the calibration lines determined in the linearity test, and the detection limits determined from those test data, were compared. Inter-unit repeatability was assessed for the linearity, detection limit, accuracy, and measurement stability tests.

For the linearity test, the intercepts and slopes of the two units were compared to one another by two-sample t-tests using the pooled standard error, with combined degrees of freedom the sum of the individual degrees of freedom.

For the detection limit test, the detection limits of the two units were compared to one another by two-sample t-tests using the pooled standard error with 10 degrees of freedom (the sum of the individual degrees of freedom).

For the relative accuracy test, repeatability was assessed with a matched-pairs two-tailed t-test with $n - 1 = 8$ degrees of freedom.

For the measurement stability test, the existence of differences in trends between the two units was assessed by fitting a linear regression to the paired differences between the units. The null hypothesis that the slope of the trend line on the paired differences is zero was tested using a matched-pairs t-test with $n - 2 = 58$ degrees of freedom.

5.2.5 Data Completeness

Data completeness was calculated as the percentage of possible data recovered from an analyzer in a test; the ratio of the actual to the possible number of data points, converted to a percentage, i.e.,

$$\text{Data Completeness} = (N_a)/(N_p) \times 100\%,$$

where N_a is the number of actual and N_p the number of possible data points.

Chapter 6 Statistical Results

6.1 Laboratory Tests

6.1.1 Linearity

Tables 6-1a and b list the data obtained in the linearity tests for NO and NO₂, respectively. The response of both the NO and NO₂ sensors in each analyzer is shown in those tables.

Table 6-2 shows the results of the linear calibration curve fits for each unit and each analyte, based on the data shown in Tables 6-1a and b.

Table 6-1a. Data from NO Linearity Test of Testo 350 Analyzers

Reading	Actual NO (ppm)	Unit A NO (ppm)	Unit A NO ₂ (ppm)	Unit B NO (ppm)	Unit B NO ₂ (ppm)
1	0	0	0	0	0
2	3005	3008	3	3006	3
3	304	283	1	283	1
4	1189	1174	3	1174	3
5	0	3	0	4	0
6	2101	2100	4	2090	4
7	605	587	2	589	2
8	304	289	1	289	1
9	0	2	0	3	0
10	605	585	1	586	1
11	1189	1178	2	1176	1
12	2103	2104	3	2091	3
13	0	3	0	5	0
14	3006	2997	4	2972	4
15	2103	2097	3	2090	3
16	1189	1179	2	1180	2
17	0	4	0	6	0
18	605	583	1	584	1
19	304	284	1	286	1
20	3005	2984	4	2942	4
21	0	5	0	7	0

Table 6-1b. Data from NO₂ Linearity Test of Testo 350 Analyzers

Number	Actual NO ₂ (ppm)	Unit A NO (ppm)	Unit A NO ₂ (ppm)	Unit B NO (ppm)	Unit B NO ₂ (ppm)
1	0	0	0	0	0
2	493.2	22	495	22	495
3	49.2	0	48	1	48
4	199.6	4	199	5	200
5	0	1	1	1	1
6	350.7	12	351	12	352
7	99.4	2	100	3	101
8	49.2	0	50	1	50
9	0	0	1	1	1
10	99.4	1	100	1	100
11	199.6	5	201	5	202
12	350.7	13	353	13	354
13	0	0	1	1	1
14	493.2	23	498	23	499
15	350.7	14	355	14	356
16	199.9	6	203	6	203
17	0	0	2	1	2
18	99.4	1	101	2	101
19	49.2	1	50	1	50
20	493.2	23	498	23	500
21	0	0	1	1	1

Table 6-2. Statistical Results for Test of Linearity

Linear Regression	Unit A		Unit B	
	NO	NO ₂	NO	NO ₂
Intercept (ppm) (Std Err)	-2.818 (2.542)	0.847 (0.222)	-3.650 (2.651)	0.829 (0.223)
Slope (Std Err)	0.995 (0.003)	1.005 (0.002)	0.993 (0.003)	1.007 (0.002)
R ²	0.9998	0.9999	0.9999	0.9999

The results shown in Tables 6-1 and 6-2 confirm that the Testo 350 analyzers provide linear response to both NO and NO₂ over a wide operating range. The slopes and regression coefficients for NO and NO₂ from both Units A and B compare well with the requirements for linearity generally expected of these analyzers, as stated in the SCAQMD test protocol.⁽⁸⁾ The regression slopes shown in Table 6-2 range from 0.993 to 1.007, and thus all are well within the expected

range of 0.98 to 1.02.⁽⁸⁾ Similarly, the squared regression coefficient values (R^2) all exceed 0.9998, whereas the expected minimum value is 0.999.⁽⁸⁾

Table 6-1a indicates that the analyzers' NO responses at the zero concentration level were slightly positive. This finding is believed to be caused by the wide range over which the Testo analyzers were calibrated in the linearity test. That is, exposure of the analyzers (and the entire sampling inlet) to NO levels of up to 3,000 ppm apparently caused a slight "memory" effect, in that analyzer response did not return completely to zero when provided with zero gas. The evidence for a memory effect, rather than a real offset, comes from the temporal increase in the zero readings. From Table 6-1a, for Testo Unit A the six zero readings from the NO linearity test were 0, 3, 2, 3, 4, and 5 ppm, whereas for Unit B they were 0, 4, 3, 5, 6, and 7 ppm. The upward trend in zero readings suggests a cumulative effect of exposure to high levels of NO. No comparable effect was seen for NO₂ (Table 6-1b), probably because the NO₂ linearity test used a much lower concentration range. Similarly, in combustion source tests described later in this section, a negligible change in NO readings on zero gas was seen after exposure to NO at levels up to 300 ppm. Thus the slight upward trend in NO zero readings appears to be an artifact of the high NO levels used in the linearity test.

However, the effect observed might be important in real sampling, specifically in the instance where an analyzer was used to measure both low and high NO_x levels, e.g., upstream and downstream of a selective catalytic reactor (SCR) for NO_x removal. If a single calibration covering the entire range of concentrations to be encountered were prepared, measurements at the low concentrations (i.e., downstream of the SCR) might be compromised. In that instance, it would be preferable to conduct a low-level calibration and low-level measurements (downstream of the SCR), followed by a high-level calibration and upstream measurements. Alternatively, dilution of the high-level stream, or use of two separate analyzers for the low and high concentration regimes, would be preferable.

The linearity test data in Tables 6-1a and b also indicate the extent of cross-sensitivity of the Testo NO and NO₂ sensors. Linear regression of the NO₂ responses of the analyzers against the NO levels provided over the range of 0 to 3,000 ppm NO (Table 6-1a) gives the following regression equations:

$$\text{Unit A NO}_2 \text{ Response} = 0.00125 (\text{Actual NO}) + 0.38 \text{ ppm}$$

$$\text{Unit B NO}_2 \text{ Response} = 0.00125 (\text{Actual NO}) + 0.34 \text{ ppm}$$

with R^2 value of 0.87 and 0.86, respectively. These results indicate a very slight sensitivity of the NO₂ sensors to NO, amounting to about 0.13 percent of the actual NO level. This degree of cross-sensitivity is negligible in any real-world application.

The corresponding linear regression of NO response to NO₂ levels provided Table (6-1b) gives the following equations:

$$\text{Unit A NO Response} = 0.0447 (\text{Actual NO}_2) - 1.5 \text{ ppm}$$

$$\text{Unit B NO Response} = 0.0431 (\text{Actual NO}_2) - 0.8 \text{ ppm}$$

with R^2 of 0.95 for both units. These results indicate that the Testo NO sensors have a cross-sensitivity to NO_2 that amounts to about 4 percent of the actual NO_2 level. This regression result is necessarily strongly influenced by the highest points; inspection of Table 6-1b shows that, at NO_2 levels below 100 ppm, the NO response is more nearly 2 percent. This interference is likely to be significant only in a source where NO_2 levels equal or exceed NO levels.

6.1.2 Detection Limit

Table 6-3 shows the estimated detection limits for each test unit and each analyte, determined from the data obtained in the linearity test. These detection limits apply to the calibrations conducted over a 0 to 3,000 ppm range for NO (Table 6-1a) and a 0 to 500 ppm range for NO_2 (Table 6-1b).

Table 6-3. Estimated Detection Limits for Testo 350 Analyzers*

	Unit A		Unit B	
	NO	NO_2	NO	NO_2
Estimated Detection Limit (ppm)	5.191	1.889	7.501	1.885
(Standard Error) (ppm)	(1.642)	(0.597)	(2.372)	(0.596)

*Results are based on calibrations over 0-3,000 ppm range for NO and 0-500 ppm range for NO_2 .

Table 6-3 displays the estimated detection limits, and their standard errors for NO and NO_2 , separately for each Testo analyzer. For each unit, the detection limit for NO_2 is approximately 1.9 ppm, but for NO it averages about 6 ppm. The detection limit estimates may be upwardly biased as a result of the “memory effect,” discussed above in Section 6.1.1. The relative accuracy obtained with low- NO_x sources (Section 6.2.1) indicates that, in the absence of this effect, detection limits for both NO and NO_2 are comparable to the resolution of the analyzer, i.e., 1 ppm.

6.1.3 Response Time

Table 6-4 lists the data obtained in the response time test of the Testo 350 analyzers. Table 6-5 shows the response times of the analyzers to a step change in analyte concentration, based on the data shown in Table 6-4.

Table 6-4. Response Time Data for Testo 350 Analyzers

Time (sec)	Unit A NO (ppm)	Unit A NO₂ (ppm)	Unit B NO (ppm)	Unit B NO₂ (ppm)
0	2	1	4	1
10	1798	133	1886	145
20	2079	279	2060	286
30	2088	315	2072	320
40	2095	330	2075	333
50	2096	337	2076	338
60	2096	340	2077	341
70	2095	342	2079	344
80	2096	344	2079	346
90	2097	345	2080	347
100	2099	346	2081	347
110	2098	346	2082	348
120	2098	347	2082	349
130	2098	347	2083	349
140	2097	348	2083	349
150	2097	348	2084	350
160	2098	348	2085	350
170	2097	349	2085	350
180	2097	349	2085	351
190	2097	349	2086	351
200	2098	349	2086	351
210	2098	350	2087	351
220	2098	350	2088	351
230	2099	350	2088	351
240	2099	350	2088	352
250	2099	350	2088	352
260	2100	350	2090	352
270	2100	351	2090	352
280	2100	351	2090	352
290	2100	351	2090	352
300		351		352

Table 6-5 shows that the Testo 350 analyzers provide substantially faster responses for NO than for NO₂, and that the two analyzers were very similar in their response to both species. Time response for NO was less than 20 seconds and for NO₂ was about 45 seconds. These response times are more than sufficient for virtually any source emission measurement, and are well within the 4-minute time response criterion generally required of portable NO/NO₂ analyzers.⁽⁸⁾

Table 6-5. Response Time Results for Testo 350 Analyzers

	Unit A		Unit B	
	NO	NO ₂	NO	NO ₂
Response Time (sec)*	17	45	16	43

* The analyzer's responses were recorded at 10-second intervals; therefore the point in time when the 95 percent response was achieved was determined by interpolating between recorded times to the nearest second.

6.1.4 Interrupted Sampling

Table 6-6 shows the zero and span data resulting from the interrupted sampling test, and Table 6-7 shows the differences (pre- minus post-) of the zero and span values. Span concentrations of 3,000 ppm NO and 493.2 ppm NO₂ were used for this test. For NO₂ for both Units A and B, zero and span differences were ±1 ppm. These span differences amount to less than 0.3 percent of the 493.2 ppm NO₂ span value. For NO, a greater effect was seen. Zero differences of 5 and 7 ppm, respectively, resulted from the analyzer shutdown, as did span differences of 22 and 20 ppm. Those NO span differences amounted to less than 1 percent of the 3,000 ppm span value. As noted above, the pre-shutdown NO zero readings were apparently elevated due to prolonged exposure to high NO levels in the linearity test. This elevation of zero levels was no longer present after the overnight shutdown.

Table 6-6. Data from Interrupted Sampling Test with Testo 350 Analyzers

	Unit A NO	Unit A NO ₂	Unit B NO	Unit B NO ₂
Pre-Shutdown Date:	1/11/99	Time:	19:30	
Pre-Shutdown Zero (ppm):	5	1	7	1
Pre-Shutdown Span (ppm):	2984	495	2942	497
Post-Shutdown Date:	1/12/99	Time:	8:45	
Post-Shutdown Zero (ppm):	0	0	0	0
Post-Shutdown Span (ppm):	2962	496	2922	498

Table 6-7. Pre- to Post-Test Differences as a Result of Interruption of Operation of Testo 350 Analyzers

Pre-Shutdown—Post-Shutdown	Unit A		Unit B	
	NO	NO ₂	NO	NO ₂
Zero Difference (ppm)	5	1	7	1
Span Difference (ppm)	22	-1	20	-1

6.1.5 Interferences

Table 6-8 lists the data obtained in the interference tests. Table 6-9 summarizes the sensitivity of the analyzers to interferant species, based on the data from Table 6-8. Note that cross-sensitivity to NO and NO₂ has been addressed using the linearity data, in Section 6.1.1.

Table 6-8. Data from Interference Tests on Testo 350 Analyzers

Interferant Gas	Interferant, Conc. (ppm)	Response (ppm equivalent)			
		Unit A NO	Unit A NO ₂	Unit B NO	Unit B NO ₂
Zero		0	0	0	0
CO	496 ppm	0	0	0	0
Zero		0	0	0	0
CO ₂	5.03%	0	0	0	0
Zero		0	0	0	0
NH ₃	494 ppm	0	0	0	0
Zero		0	0	0	0
HCS	590 ppm	0	0	0	0
Zero		0	0	0	0
SO ₂	501 ppm	0	0	0	0
Zero		0	0	0	0
SO ₂ + NO	451 + 385 ppm	380	0	383	0

Table 6-9. Results of Interference Tests of Testo 350 Analyzers

Interferent	Unit A Response ppm (relative sensitivity, %)		Unit B Response ppm (relative sensitivity, %)	
	NO	NO ₂	NO	NO ₂
CO (496 ppm)	0	0	0	0
CO ₂ (5.03%)	0	0	0	0
NH ₃ (494 ppm)	0	0	0	0
HCS (631 ppm)	0	0	0	0
SO ₂ (451 ppm) + NO (385 ppm)	380 (-1.3%)	0	383 (-0.5%)	0

Table 6-9 indicates that none of the individual interferants produced a response from the NO or NO₂ sensors of the Testo analyzers (i.e., both analyzers read 0 ppm throughout the sampling of those interferants). The last row of entries in Table 6-9 indicates that, for the one mixed interferant, SO₂ + NO, the response to NO was slightly lower for both Units A and B than the nominal 385 ppm supplied. However, the differences amount to only 1.3 and 0.5 percent of the supplied concentration for Units A and B, respectively. These differences are within the

uncertainty of the supplied concentration and do not indicate a significant interference from SO₂ in the presence of NO.

6.1.6 Pressure Sensitivity

Table 6-10 lists the data obtained in the pressure sensitivity test. Table 6-11 summarizes the findings from those data in terms of the ppm differences in zero and span readings at the different duct gas pressures, and the ccm differences in analyzer flow rates at the different duct gas pressures. No significant effect of duct pressure was seen with either Testo 350 analyzer, except for the NO span reading on Unit A. The Unit A reading on the 3,000 ppm NO span read 19 ppm lower at reduced pressure than at ambient pressure, indicating a slight pressure dependence of response. However, this effect amounts to less than a 1 percent relative change with respect to the 3,000 ppm NO span value. More importantly, as noted in the footnote to Table 6-10, the Testo span readings at reduced pressure were corrected for leakage in the sampling manifold using oxygen readings obtained during the test. Uncertainty in this correction may be a factor in the apparent pressure dependence identified for Unit A. It is noteworthy that no consistent trend of pressure dependence is indicated by the results in Table 6-11. For example, all of the NO span readings at both +10 and -10 inches of water duct pressure are less than those at ambient pressure, suggesting (if the changes were significant) that a reduction in response occurs both with increased and with decreased pressure. This implication is contrary to the physical principles governing the response of the analyzers, and further indicates that no substantial pressure dependence exists over the range of pressures tested.

Tables 6-10 and 6-11 also indicate that the sample gas flow rate drawn by the two analyzers is only slightly dependent on the duct pressure. Sample flow rates at +10 inches of water exceeded those at ambient pressure by 3.8 to 5.6 percent; flow rates at -10 inches of water were reduced by 4.5 to 5.8 percent. As noted above, no significant zero or span changes were associated with these small flow changes.

6.1.7 Ambient Temperature

Table 6-12 lists the data obtained in the ambient temperature test with the Testo 350 analyzers.

Table 6-13 summarizes the sensitivity of the analyzers to changes in ambient temperature. This table is based on the data shown in Table 6-12, where the span values are 3,000 ppm for NO and 493.2 ppm for NO₂.

In considering the results in Table 6-13, it must be recalled that the temperature compensation of the Testo 350 analyzers was deliberately disabled for this test, so that any temperature effects seen are likely to be greater than those normally encountered. Even so, the temperature effects are minimal. As expected, response of the analyzers tended to increase with elevated temperature and decrease with reduced temperature. Statistically significant differences in zero readings with temperature were found only for Unit A NO and Unit B NO₂ readings. The latter amount to less than a 3 ppm difference over the entire temperature range, whereas the former shows a 9 ppm

Table 6-10. Data from Pressure Sensitivity Test for Testo 350 Analyzers

Pressure		Unit A NO	Unit A NO ₂	Unit B NO	Unit B NO ₂
Ambient	Flow rate (ccm)	1174	1174	1230	1230
	Zero (ppm)	1	0	1	0
	NO span (ppm)	2067	2	2050	2
	Zero (ppm)	2	0	3	0
	NO ₂ span (ppm)	5	349	7	348
	Zero (ppm)	2	2	2	1
+10 in. H ₂ O	Flow rate (ccm)	1242	1242	1277	1277
	Zero (ppm)	2	1	1	1
	NO span (ppm)	2065	4	2043	4
	Zero (ppm)	2	1	1	1
	NO ₂ span (ppm)	3	352	5	352
	Zero (ppm)	2	1	2	2
-10 in. H ₂ O	Flow rate (ccm)	1121	1121	1159	1159
	Zero (ppm)	2	1	1	1
	NO span (ppm)	2048*	3	2040*	3
	Zero (ppm)	2	1	2	1
	NO ₂ span (ppm)	3	349*	3	350*
	Zero (ppm)	2	2	1	2

*Value corrected using measured O₂ level to account for air in-leakage at reduced pressure.

Table 6-11. Pressure Sensitivity Results for Testo 350 Analyzers

		Unit A		Unit B	
		NO	NO ₂	NO	NO ₂
Zero	High–Ambient (ppm diff*)	0.3	0.3	-0.7	1
	Low–Ambient (ppm diff)	0.3	0.6	-0.7	1
	Significant Pressure Effect	N	N	N	N
Span	High–Ambient (ppm diff)	-2	3	-7	4
	Low–Ambient (ppm diff)	-19	0	-10	2
	Significant Pressure Effect	Y	N	N	N
Flow Rate	High–Ambient (ccm diff*)		68		47
	Low–Ambient (ccm diff)		-53		-71

*ppm or ccm difference between high/low and ambient pressures. The differences were calculated based on the average of the zero values.

Table 6-12. Data from Ambient Temperature Test of Testo 350 Analyzers

Condition	Unit A NO (ppm)	Unit A NO₂ (ppm)	Unit B NO (ppm)	Unit B NO₂ (ppm)
(Room Temp.)				
Temp.	25.56°C (78°F)			
Zero	0	0	0	0
NO span	2042	3	2035	3
Zero	1	1	4	1
NO ₂ span	3	353	4	355
(Heated)				
Temp.	39.44°C (103°F)			
Zero	8	0	0	2
NO span	2056	3	2058	6
Zero	11	0	3	3
NO ₂ span	8	352	5	358
(Cooled)				
Temp.	7.22°C (45°F)			
Zero	0	0	0	0
NO span	2022	2	2012	2
Zero	3	0	6	0
NO ₂ span	5	353	7	353
(Room Temp.)				
Temp.	22.78°C (73°F)			
Zero	0	0	1	0
NO span	2032	7	2025	5
Zero	1	1	2	1
NO ₂ span	3	351	5	353

Table 6-13. Ambient Temperature Effects on Testo 350 Analyzers

		Unit A		Unit B	
		NO	NO ₂	NO	NO ₂
Zero*	Heat–Room (ppm diff*)	9	-0.5	-0.25	2
	Cool–Room (ppm diff)	1	-0.5	1.25	-0.5
	Significant Temp Effect	Y	N	N	Y
Span*	Heat–Room (ppm diff)	19	0	28	4
	Cool–Room (ppm diff)	-15	1	-18	-1
	Significant Temp. Effect	Y	N	Y	N

*ppm difference between heated/cooled and room temperatures. The differences were calculated using the average of two recorded responses at room temperature (Table 6-12).

difference in zero reading between room temperature and the elevated temperature. Statistically significant differences in span readings (using 3,000 ppm NO and 493.2 ppm NO₂) were found for NO for both units, but not for NO₂. Relative to the room temperature results, the differences in NO span response amount to 0.9 to 1.3 percent of the 3,000 ppm span value at elevated temperature, and 0.7 to 0.9 percent of the 3,000 ppm span value at reduced temperature. This extent of temperature dependence is likely to be negligible; and, in any case, temperature effects are likely to be further minimized by enabling the temperature compensation circuitry of the 350 analyzers.

6.1.8 Zero and Span Drift

Zero and span drift were evaluated from data taken at the start and end of the linearity and ambient temperature tests. Those data are shown in Table 6-14, and the drift values observed are shown as pre- minus post-test differences in ppm in Table 6-15. The results in Table 6-15 are similar to those found in the interrupted sampling test (Table 6-7). Differences in NO₂ zeroes and spans were within ± 2 ppm for both Testo analyzers, and the span differences amounted to less than 0.6 percent of the 493.2 ppm NO₂ span concentration. For NO, greater drift was seen with both Testo units. The zero drift seen in the linearity test (5 to 7 ppm increase in reading over the course of the test, Table 6-14) is thought to result from a memory effect caused by the high NO levels used in that test, as discussed above. Zero readings on both Testo units showed drift less than 1 ppm over the ambient temperature test. Span drift over the linearity test was 24 ppm (1.1 percent of the span value) on Unit A and 64 ppm (3 percent of the span value) on Unit B. Span drift on both analyzers was 10 ppm (0.5 percent of the span value) over the ambient temperature test.

Table 6-14. Data from Linearity and Ambient Temperature Tests Used to Assess Zero and Span Drift of the Testo 350 Analyzers

Test		Unit A NO (ppm)	Unit A NO ₂ (ppm)	Unit B NO (ppm)	Unit B NO ₂ (ppm)
Linearity	Pre-Test Zero	0	0	0	0
	Pre-Test Span	3008	495	3006	495
	Post-Test Zero	5	1	7	1
	Post-Test Span	2984	495	2942	497
Ambient Temperature	Pre-Test Zero	0	1	0	1
	Pre-Test Span	2042	353	2035	355
	Post-Test Zero	0	1	1	1
	Post-Test Span	2032	351	2025	353

Table 6-15. Zero and Span Drift Results for the Testo 350 Analyzers

Pre- and Post-Differences		Unit A		Unit B	
		NO (ppm)	NO ₂ (ppm)	NO (ppm)	NO ₂ (ppm)
Linearity Test	Zero	-5	-1	-7	-1
	Span	24	0	64	-2
Ambient Temperature Test	Zero	0	0	-1	0
	Span	10	2	10	2

6.2 Combustion Source Tests

6.2.1 Relative Accuracy

Tables 6-16a through d list the measured NO, NO₂, and NO_x data obtained in sampling of the four combustion sources. Note that the Testo analyzers measure NO and NO₂, and the indicated NO_x totals are the sum of those data; in contrast, the reference monitors measure NO and NO_x, and NO₂ is determined by difference. Tables 6-16a through d show that a wide range of NO and NO₂ concentrations was emitted by the four sources.

Table 6-17 displays the relative accuracy (in percent) for NO, NO₂, and NO_x of Units A and B for each of the four sources. Estimated standard errors are shown with the relative accuracy estimates. These standard error estimates were calculated under the assumption of zero true bias between the reference and test methods. If the bias is in fact non-zero the standard errors underestimate the variability.

Table 6-16a. Data from the Gas Rangetop in Verification Testing of Testo 350 Analyzers

	Testo Analyzer Data					Reference Analyzer Data						
	Unit A NO (ppm)	Unit A NO ₂ (ppm)	Unit A NO _x (ppm)	Unit B NO (ppm)	Unit B NO ₂ (ppm)	Unit B NO _x (ppm)	14A NO (ppm)	14A NO ₂ (ppm)	14A NO _x (ppm)	10 NO (ppm)	10 NO ₂ (ppm)	10 NO _x (ppm)
1	5	2	7	5	2	7	4.5	2.1	6.6	4.5	1.9	6.4
2	6	2	8	6	2	8	4.6	2.3	7.0	4.7	2.2	6.9
3	6	2	8	6	2	8	4.8	2.4	7.1	4.8	2.3	7.2
4	6	2	8	6	2	8	5.1	2.4	7.5	5.1	2.5	7.6
5	6	2	8	6	2	8	5.2	2.1	7.4	5.3	2.0	7.3
6	6	2	8	5	2	7	5.3	2.5	7.7	5.3	2.5	7.8
7	7	2	9	6	2	8	5.3	2.6	8.0	5.5	2.5	8.0
8	6	2	8	6	2	8	5.3	2.5	7.8	5.3	2.6	7.9
9	6	2	8	6	2	8	5.5	2.1	7.6	5.5	2.1	7.6

Table 6-16b. Data from Gas Water Heater in Verification Testing of Testo 350 Analyzers

	Testo Analyzer Data					Reference Analyzer Data						
	Unit A NO (ppm)	Unit A NO ₂ (ppm)	Unit A NO _x (ppm)	Unit B NO (ppm)	Unit B NO ₂ (ppm)	Unit B NO _x (ppm)	14A NO (ppm)	14A NO ₂ (ppm)	14A NO _x (ppm)	10 NO (ppm)	10 NO ₂ (ppm)	10 NO _x (ppm)
1	64	5	69	64	5	69	62.2	4.5	66.7	62.2	4.3	66.4
2	65	6	71	64	5	69	61.7	5.5	67.3	62.3	4.9	67.2
3	66	5	70	64	6	70	61.1	6.4	67.5	61.2	6.0	67.2
4	66	7	73	65	6	71	60.9	5.5	66.5	61.4	5.2	66.6
5	67	6	73	65	6	71	61.5	5.2	66.7	61.9	4.8	66.7
6	66	6	72	64	7	71	61.0	5.1	66.1	61.3	5.9	67.2
7	65	6	71	64	6	70	61.0	5.1	66.1	61.7	4.6	66.3
8	65	6	71	64	6	70	60.1	5.4	65.6	61.1	4.8	65.9
9	64	6	70	63	6	69	60.3	4.7	65.0	60.9	4.8	65.7

Table 6-16c. Data from the Diesel Generator at High RPM in Verification Testing of Testo 350 Analyzers

	Testo Analyzer Data				Reference Analyzer Data							
	Unit A NO (ppm)	Unit A NO ₂ (ppm)	Unit B NO (ppm)	Unit B NO ₂ (ppm)	Unit B NO _x (ppm)	14A NO (ppm)	14A NO ₂ (ppm)	14A NO _x (ppm)	10 NO (ppm)	10 NO ₂ (ppm)	10 NO _x (ppm)	
1	96	72	168	96	71	167	90.2	66.4	156.6	92.3	70.1	162.4
2	97	72	169	97	71	168	89.3	63.7	153.0	93.3	64.5	157.8
3	95	71	166	94	71	165	86.2	63.7	149.9	89.4	67.9	157.3
4	99	67	166	98	66	164	88.6	62.4	151.1	92.3	63.4	155.7
5	100	66	166	99	65	164	89.3	61.4	150.7	93.3	64.5	157.8
6	96	65	161	97	65	162	90.6	58.3	148.9	94.3	62.2	156.5
7	98	66	164	98	64	162	87.2	61.0	148.1	91.4	63.4	154.7
8	100	66	166	99	65	164	87.2	62.9	150.1	92.3	64.5	156.8
9	98	65	163	99	63	162	87.7	62.0	149.7	92.3	64.5	156.8

Table 6-16d. Data from Diesel Generator at Idle in Verification Testing of Testo 350 Analyzers

	Testo Analyzer Data				Reference Analyzer Data							
	Unit A NO (ppm)	Unit A NO ₂ (ppm)	Unit A NO _x (ppm)	Unit B NO (ppm)	Unit B NO ₂ (ppm)	Unit B NO _x (ppm)	14A NO (ppm)	14A NO ₂ (ppm)	14A NO _x (ppm)	10 NO (ppm)	10 NO ₂ (ppm)	10 NO _x (ppm)
1	306	131	437	302	129	431	279.6	114.9	394.5	295.7	125.0	420.7
2	308	133	441	307	131	438	278.6	125.7	404.2	295.7	131.7	427.4
3	310	136	446	306	134	440	280.1	124.4	404.5	296.7	132.9	429.5
4	304	136	440	302	134	436	276.7	124.4	401.1	296.7	126.1	422.8
5	310	138	448	308	135	443	282.0	123.8	405.9	297.6	132.9	430.5
6	309	138	447	307	135	442	279.4	128.9	408.3	295.7	137.3	433.0
7	313	138	451	311	135	446	284.0	125.8	409.8	300.6	132.8	433.4
8	310	139	449	307	136	443	283.0	128.6	411.7	299.6	136.2	435.8
9	313	139	452	310	135	445	282.0	128.7	410.7	297.6	136.2	433.9

Table 6-17. Relative Accuracy of Testo 350 Analyzers

Source	Unit A			Unit B		
	NO (ppm)	NO ₂ (ppm)	NO _x (ppm)	NO (ppm)	NO ₂ (ppm)	NO _x (ppm)
Gas Rangetop (5 ppm NO, 2 ppm NO ₂)***	23.47* (2.07)**	20.14 (2.42)	11.41 (1.23)	20.51 (2.57)	20.14 (2.42)	10.50 (1.98)
Gas Water Heater (60 ppm NO, 5 ppm NO ₂)	7.94 (0.52)	26.18 (4.28)	8.63 (0.55)	5.36 (0.30)	23.41 (3.28)	6.44 (0.42)
Diesel Generator–High RPM (90 ppm NO, 65 ppm NO ₂)	9.87 (0.67)	8.56 (0.79)	8.33 (0.36)	9.32 (0.56)	7.47 (0.96)	7.30 (0.27)
Diesel Generator–Idle (290 ppm NO, 130 ppm NO ₂)	7.50 (0.18)	7.48 (0.53)	7.06 (0.13)	6.69 (0.20)	5.57 (0.58)	5.77 (0.11)

*Relative accuracy, percent relative to mean of two reference analyzers.

**Standard error of the relative accuracy value.

***Approximate NO and NO₂ levels from each source are shown; see Tables 6-16a through d.

Table 6-17 shows that for nearly all source sampling, the Testo 350 analyzers exhibited relative accuracy of 5.4 to 11.4 percent for NO, NO₂, and NO_x. The only exceptions were those conditions in which NO and/or NO₂ were present at levels of 6 ppm or less. For NO and NO₂ from the rangetop, and for NO₂ from the water heater, relative accuracy values of about 20 to 25 percent were found. This relative accuracy at the levels observed from these sources (see Tables 6-16a and b) implies that the Testo and reference results agree within about 1 ppm at these low levels, or within the measurement resolution of the Testo analyzers (the Testo analyzers report data in whole ppm units only). For all sources tested, including the rangetop and water heater, the NO_x relative accuracy was 11.4 percent or better.

In addition to exhibiting good relative accuracy even at low analyte levels, the Testo 350 analyzers exhibited excellent unit-to-unit precision in source emission measurements. In many of the combustion tests, the two Testo analyzers showed better unit-to-unit agreement than did the two reference analyzers. For example, the differences between the average NO_x values obtained by Testo Unit A and Unit B on the four combustion sources ranged from 0.7 to 2.5 percent relative to the mean NO_x values; the corresponding agreement of the two reference analyzers ranged from 0.0 to 5.8 percent. This result indicates a high degree of consistency in the performance of the Testo analyzers on combustion sources.

6.2.2 Zero and Span Drift

Table 6-18 shows the data used to evaluate zero and span drift of the Testo 350 analyzers from the combustion source tests.

Table 6-18. Data Used to Assess Zero and Span Drift for Testo 350 Analyzers on Combustion Sources

Source		Unit A NO (ppm)	Unit A NO ₂ (ppm)	Unit B NO (ppm)	Unit B NO ₂ (ppm)
Gas Rangetop	Pre-Test Zero	0	0	0	0
	Pre-Test Span	20	10	20	10
	Post-Test Zero	0	0	0	0
	Post-Test Span	21	10	20	10
Gas Water Heater	Pre-Test Zero	0	0	0	0
	Pre-Test Span	100	15	100	15
	Post-Test Zero	1	0	0	0
	Post-Test Span	101	16	100	15
Diesel-High RPM	Pre-Test Zero	0	0	0	0
	Pre-Test Span	200	51	201	51
	Post-Test Zero	0	0	0	0
	Post-Test Span	202	50	203	50
Diesel-Idle	Pre-Test Zero	0	0	0	0
	Pre-Test Span	400	100	401	99
	Post-Test Zero	1	2	1	1
	Post-Test Span	399	99	398	99

Table 6-19 summarizes the zero and span drift results, showing that zero and span drift was within ± 1 ppm in most test situations, for both NO and NO₂. Zero and span drift for NO₂ never exceeded 2 ppm for either analyzer with any source. For NO, the observed drift in the source tests was similar to that for NO₂, i.e., ± 1 ppm zero drift, and -2 to 3 ppm span drift. The highest levels of NO drift in the source tests were found with the diesel sources, suggesting that the sampling of higher NO levels contributes to observed drift. This suggestion is consistent with the NO drift observed in the laboratory test procedures, which as discussed above is likely a result of the high NO levels sampled during those procedures. This drift is a transient phenomenon which can be minimized by allowing sufficiently long refresh cycles between measurements.⁽¹⁰⁾

Table 6-19. Results of Zero and Span Drift Evaluation for Testo 350 Analyzers

	Pre-Test— Post-Test	Unit A		Unit B	
		NO (ppm)	NO ₂ (ppm)	NO (ppm)	NO ₂ (ppm)
Gas Rangetop	Zero	0	0	0	0
	Span	-1	0	0	0
Gas Water Heater	Zero	-1	0	0	0
	Span	-1	-1	0	0
Diesel Generator–High RPM	Zero	0	0	0	0
	Span	-2	1	-2	1
Diesel Generator–Idle	Zero	-1	-2	-1	-1
	Span	1	1	3	0

6.2.3 Measurement Stability

Table 6-20 shows the data obtained in the extended sampling test, in which the Testo 350 and reference analyzers sampled diesel emissions at engine idle for a full hour without interruption or sampling of ambient air. The Testo data were compared to the average of the reference analyzer data to assess whether a different trend in the emission data was observed for the Testo analyzers relative to the reference analyzers. Table 6-21 shows the results of this evaluation, in terms of the slopes and standard errors of the NO, NO₂, and NO_x data with time. Also shown in Table 6-21 is an indication of whether the slopes indicated by the Testo analyzers differed from those observed by the reference analyzers.

Table 6-21 indicates that both the Testo analyzers and the reference analyzers showed a gradual decrease in NO and an increase in NO₂ during the 1-hour sampling period. For NO₂, there was no difference statistically between the trend shown by the two Testo analyzers and that shown by the reference analyzers. However, for NO, both Testo analyzers showed a lower rate of decrease (i.e., a smaller negative slope) than did the reference analyzers, and the differences were statistically significant. As a result, a statistically significant difference was also found in the slopes for NO_x. Overall, the reference analyzers showed a slight decrease in NO_x emissions from the diesel engine during the extended sampling, whereas the Testo analyzers showed essentially no change.

It should be pointed out that, although statistically significant differences are shown in Table 6-21, their practical significance is very small. For example, the reference analyzers indicate a downward trend in NO_x of -0.052 ppm/min, or -3.1 ppm per hour, whereas the two Testo analyzers indicate NO_x trends of -0.006 ppm/min (-0.4 ppm/hr) and 0.012 ppm/min (0.7 ppm/hr). Considering that the diesel engine emitted approximately 430 ppm of NO_x, these slight differences in slope are negligible, amounting to a difference of no more than 4 ppm, or less than 1 percent of the source output, over 1 hour of sampling.

Table 6-20. Data from Extended Sampling Test with Diesel Generator at Idle, Using Testo 350 Analyzers

	Testo Analyzer Data						Reference Analyzer Data					
	Unit A NO ₂ (ppm)	Unit A NO _x (ppm)	Unit B NO ₂ (ppm)	Unit B NO _x (ppm)	Unit B NO ₂ (ppm)	Unit B NO _x (ppm)	14A NO ₂ (ppm)	14A NO _x (ppm)	10 NO ₂ (ppm)	10 NO _x (ppm)	10 NO ₂ (ppm)	10 NO _x (ppm)
1	139	452	310	310	135	445	128.7	410.7	297.6	433.9	136.2	433.9
2	139	453	312	312	136	448	128.1	411.8	299.6	435.8	136.2	435.8
3	140	449	307	307	137	444	123.0	402.6	295.7	430.8	135.1	430.8
4	141	455	312	312	139	451	133.1	413.2	296.7	434.0	137.3	434.0
5	141	450	308	308	137	445	130.8	410.6	293.7	435.5	141.8	435.5
6	140	452	310	310	137	447	129.8	412.3	298.6	435.9	137.3	435.9
7	140	451	310	310	138	448	132.0	413.2	298.6	438.2	139.6	438.2
8	141	453	310	310	138	448	126.0	411.0	300.6	435.7	135.1	435.7
9	142	460	317	317	138	455	133.2	416.7	300.6	439.0	138.4	439.0
10	142	456	311	311	139	450	134.4	415.9	297.6	439.5	141.8	439.5
11	142	461	316	316	140	456	132.2	416.6	300.6	442.4	141.8	442.4
12	142	463	319	319	139	458	130.5	418.2	303.5	444.2	140.7	444.2
13	141	459	315	315	139	454	130.2	415.3	300.6	440.1	139.6	440.1
14	142	463	319	319	140	459	130.4	417.3	303.5	443.1	139.5	443.1
15	143	460	314	314	140	454	132.1	417.5	302.5	442.1	139.5	442.1
16	142	461	317	317	141	458	131.1	414.5	298.6	439.3	140.7	439.3
17	143	463	318	318	141	459	130.7	416.3	301.6	442.2	140.7	442.2
18	143	455	311	311	141	452	135.0	416.0	296.7	441.8	145.2	441.8
19	146	461	312	312	141	453	131.5	412.9	297.6	437.2	139.6	437.2
20	145	463	315	315	141	456	132.9	417.7	299.6	443.7	144.0	443.7
21	145	458	310	310	142	452	133.6	414.7	297.6	437.2	139.6	437.2
22	146	460	315	315	142	457	132.0	414.0	299.6	439.2	139.6	439.2
23	146	464	316	316	142	458	134.9	420.9	302.5	445.5	142.9	445.5
24	146	463	314	314	142	456	136.7	419.2	297.6	443.9	146.3	443.9
25	146	465	317	317	142	459	137.0	418.3	296.7	443.0	146.3	443.0
26	145	460	311	311	142	453	135.0	418.9	298.6	442.7	144.1	442.7
27	146	458	310	310	143	453	131.6	412.5	295.7	436.4	140.7	436.4
28	146	460	313	313	143	456	134.4	416.9	297.6	440.6	142.9	440.6
29	147	465	315	315	144	459	133.0	419.6	301.6	443.1	141.8	443.1
30	147	457	308	308	144	452	138.4	416.6	293.7	441.2	147.4	441.2

Table 6-20. Data from Extended Sampling Test with Diesel Generator at Idle, Using Testo 350 Analyzers (continued)

	Testo Analyzer Data					Reference Analyzer Data						
	Unit A NO (ppm)	Unit A NO ₂ (ppm)	Unit A NO _x (ppm)	Unit B NO (ppm)	Unit B NO ₂ (ppm)	Unit B NO _x (ppm)	14A NO (ppm)	14A NO ₂ (ppm)	14A NO _x (ppm)	10 NO (ppm)	10 NO ₂ (ppm)	10 NO _x (ppm)
31	147	147	458	310	143	453	276.7	139.3	416.0	292.7	146.3	439.1
32	146	146	461	313	142	455	277.9	141.1	418.9	292.7	148.6	441.3
33	147	147	462	314	143	457	280.8	136.5	417.2	294.7	145.2	439.9
34	147	147	463	315	143	458	281.0	137.4	418.4	295.7	146.3	442.0
35	148	148	465	315	143	458	285.1	134.8	419.9	299.6	144.0	443.7
36	148	148	462	313	144	457	279.2	138.3	417.5	293.7	146.3	440.0
37	148	148	458	309	144	453	279.5	136.8	416.3	292.7	146.3	439.1
38	147	147	466	317	143	460	282.9	135.1	418.0	297.6	142.9	440.6
39	146	146	456	308	143	451	279.4	135.2	414.6	294.7	141.8	436.5
40	146	146	458	310	143	453	281.5	131.9	413.3	295.7	140.7	436.4
41	146	146	459	314	142	456	282.4	136.8	419.2	297.6	144.1	441.7
42	147	147	456	308	143	451	277.5	141.5	419.0	292.7	148.6	441.3
43	147	147	453	305	144	449	274.9	136.9	411.8	290.8	141.9	432.6
44	148	148	462	313	144	457	279.8	134.7	414.6	294.7	140.7	435.4
45	148	148	462	311	145	456	280.0	133.9	413.9	294.7	140.7	435.4
46	147	147	456	307	143	450	278.9	133.8	412.8	292.7	141.8	434.6
47	147	147	460	312	143	455	277.8	136.6	414.4	291.7	145.2	437.0
48	147	147	456	309	143	452	277.2	138.2	415.4	291.7	145.2	437.0
49	147	147	459	310	144	454	275.1	138.9	413.9	288.8	145.2	434.0
50	148	148	458	309	145	454	278.5	135.0	413.4	291.7	143.0	434.7
51	148	148	457	308	145	453	276.8	134.3	411.1	290.8	141.9	432.6
52	147	147	452	303	144	447	270.9	138.1	409.0	284.9	145.3	430.1
53	147	147	457	308	144	452	276.8	138.6	415.5	289.8	147.5	437.2
54	147	147	460	312	145	457	277.0	136.8	413.8	290.8	145.2	436.0
55	147	147	450	301	145	446	270.6	138.3	408.9	283.9	145.3	429.1
56	148	148	458	311	145	456	274.2	138.2	412.4	287.8	144.1	431.9
57	148	148	451	305	145	450	272.3	140.4	412.7	285.8	147.5	433.3
58	148	148	453	301	145	446	272.7	139.4	412.1	284.9	147.5	432.4
59	149	149	449	301	145	446	270.4	138.9	409.3	284.9	144.1	429.0
60	148	148	457	307	145	452	275.7	138.3	414.0	288.8	146.4	435.1

Table 6-21. Results of Evaluation of Measurement Stability for Testo 350 Analyzer

	Unit A			Unit B			Reference Units		
	NO	NO ₂	NO _x	NO	NO ₂	NO _x	NO	NO ₂	NO _x
Slope	-0.149	0.143	-0.006	-0.125	0.137	0.012	-0.201	0.149	-0.052
(Std Err)	(0.029)	(0.009)	(0.033)	(0.028)	(0.008)	(0.032)	(0.022)	(0.018)	(0.027)
Difference in Slopes (ppm/min)	0.052	-0.005	0.046	0.076	-0.012	0.064	—	—	—
(Std Err)	(0.016)	(0.017)	(0.020)	(0.017)	(0.017)	(0.020)	—	—	—
	*		*	*		*			

*Statistically significant difference in slope among test unit and the averages of the reference units at the 5 percent significance level.

6.2.4 Inter-Unit Repeatability

The repeatability of test results between the two Testo analyzers was assessed in those cases where the data lent themselves to application of a t-test. The resulting t-statistics and associated p-values are listed in Table 6-22. Highlighted in bold are those p-values less than 0.05, which indicate a statistically significant difference between the two Testo 350 units at the 95 percent confidence level. As Table 6-22 shows, significant differences between Units A and B were found only in relative accuracy and in measurement stability, primarily for NO and NO_x. The differences found indicate the variability that may be expected from one analyzer to the next. Nevertheless, although some significant differences were found between the two analyzers, the practical importance of those differences is small. Considering the relative accuracy results (Table 6-17), it is apparent that statistically significant differences in relative accuracy may exist even when the two analyzers are equally applicable to the measurement at hand. To show just one example, the relative accuracy result for NO_x for Unit A on the diesel generator at high RPM (Table 6-17) is 8.33 percent. This result may differ significantly from that for Unit B (7.30 percent), but either unit would be more than adequate for determining emissions from that source. The fine degree of discrimination provided by the statistical tests should not obscure the fact that the two Testo 350 analyzers essentially worked equally well throughout the verification tests.

Table 6-22. Summary of Repeatability

Unit A vs. Unit B			NO	NO ₂	NO _x
Linear Regression	Intercept	t-statistic	0.227	0.058	—
		p-value*	0.825	0.955	—
	Slope	t-statistic	0.559	-0.874	—
		p-value	0.588	0.403	—
Detection Limit		t-statistic	-0.801	0.005	—
		p-value	0.430	0.996	—
Relative Accuracy	Gas Rangetop	t-statistic	1.512	**	1.512
		p-value	0.169	**	0.169
	Gas Water Heater	t-statistic	5.500	0.000	5.500
		p-value	<0.001	1.000	<0.001
	Generator–High RPM	t-statistic	0.800	4.243	3.773
		p-value	0.447	0.003	0.005
	Generator–Idle	t-statistic	7.562	11.314	13.036
		p-value	<0.001	<0.001	<0.001
Measurement Stability	Slope	t-statistic	-2.900	1.122	-1.818
		p-value	0.005	0.267	0.074

* p-value <0.05 indicates that two test units are statistically different at the 5 percent significance level.

** Unit A and Unit B indicated exactly the same NO₂ readings on the gas burner emission. No matched-pairs t-statistic was calculated.

6.3 Other Factors

In addition to the performance characteristics evaluated in the laboratory and source tests, three additional factors were recorded: analyzer cost, data completeness, and maintenance/operational factors.

6.3.1 Cost

The cost of each analyzer as tested in this verification test was about \$11,300. This represents the purchase cost of the entire system, including the Model 350 analyzer, Model 339 sample conditioner, heated line, probe, remote control unit, and accessories.

6.3.2 Data Completeness

The data completeness in the verification tests was 100 percent for both units of the Testo 350.

6.3.3 Maintenance/Operational Factors

The short duration of the verification tests prevented assessment of long-term maintenance costs, durability, etc. No reliability problems were encountered in the test. The analyzers are rugged and readily portable, and setup time was less than one-half hour from unpacking to ready for

measurement. The rapid response time and stability of the analyzers allowed verification testing to proceed smoothly. The Testo instruments incorporate sophisticated sample probes and sample conditioning suitable for a wide range of NO_x monitoring applications.

Chapter 7

Performance Summary

The Testo 350 analyzers provided linear response over their full nominal ranges of 0 to 3,000 ppm for NO and 0 to 500 ppm for NO₂. Detection limits estimated from these full-range calibrations were 1.9 ppm for NO₂ and about 6 ppm for NO. However, these values may have been influenced by the relatively high levels used in calibration, and subsequent combustion source tests indicated NO and NO₂ detection limits comparable to the 1 ppm measurement resolution of the analyzers. Response times found were 16 to 17 seconds for NO and 43 to 45 seconds for NO₂.

Drift in zero and span readings obtained before and after source combustion and laboratory tests was less than ± 2 ppm in nearly all circumstances. Shutting the analyzer off completely overnight had no significant additional effect on the drift observed. Span drift was equivalent to less than 1 percent of the span value in almost all tests. No interference was found from any of the following: 496 ppm CO; 5.03 percent CO₂; 494 ppm NH₃; 590 ppm of total hydrocarbons; 501 ppm of SO₂; and 451 ppm of SO₂ in the presence of 385 ppm NO.

Over the tested range of -10 to +10 inches of water (relative to ambient pressure performed to simulate typical duct pressures), the sample gas pressure had no significant effect on the zero or span readings of the Testo analyzers. Ambient temperature over the range of 7° to 41°C (45° to 105°F) also had negligible impact on zero and span readings of the Testo analyzers, even with the temperature compensation of the analyzers disabled. For example, span values differed by 1 percent or less due to temperature effects over this range.

The relative accuracy of the Testo analyzers was 5.4 to 11.4 percent for NO, NO₂, and NO_x, in nearly all measurements on a gas rangetop, gas water heater, and a diesel engine at both idle and high RPM. The only exceptions were conditions in which NO or NO₂ were present at levels below 6 ppm. In those cases, the Testo analyzers were accurate to within about their 1 ppm measurement resolution at those low levels. Relative accuracy for NO_x was 11.4 percent or better with all combustion sources, including one producing less than 10 ppm of NO_x. In source testing, two Testo 350 analyzers showed unit-to-unit agreement within 2.5 percent or less at NO_x levels from about 8 to over 400 ppm. In some cases the agreement between the two Testo analyzers was better than that between the two reference analyzers.

Comparison of verification results from the two Testo analyzers shows only slight differences in performance, which would be of negligible importance in actual sampling. The performance of the two analyzers tested was essentially the same.

Chapter 8 References

1. *Test/QA Plan for Verification of Portable NO/NO₂ Emission Analyzers*, Battelle, Columbus, Ohio, December 1998.
2. *U.S. EPA Method 7E Determination of Nitrogen Oxides Emissions from Stationary Sources (Instrumental Analyzer Procedure)* Code of Federal Regulations, 40 CFR, Ch 1, Part 60, Appendix A (1991).
3. *Traceability Protocol for Establishing True Concentrations of Gases Used for Calibrations and Audits of Continuous Source Emission Monitors: Protocol Number 1*, Research Triangle Park, NC: U.S. Environmental Protection Agency, Quality Assurance Division, June 1978.
4. *Interlaboratory Program to Validate a Protocol for the Measurement of NO₂ Emissions from Rangetop Burners*, GRI-94/0458, Gas Research Institute, Chicago, Illinois, December 1994.
5. *Interlaboratory Study to Determine the Precision of an Emission Measurement Protocol for Residential Gas Water Heaters*, GRI-96-0021, Gas Research Institute, Chicago, Illinois, March 1996.
6. American National Standards (ANSI Z21.1) "Household Cooking Gas Appliances," American National Standards Institute, 24th Edition, American Gas Association, 1990.
7. *Quality Management Plan (QMP) for the ETV Advanced Monitoring Systems Pilot*, U.S. EPA Environmental Technology Verification Program, Battelle, Columbus, Ohio, September 1998.
8. *Portable NO_x Analyzer Evaluation for Alternative Nitrogen Oxide Emission Rate Determination at Process Units*, Source Testing and Engineering Branch, South Coast Air Quality Management District, Los Angeles, CA, September 21, 1994.
9. *U.S. EPA Method 5, Determination of Particulate Emissions from Stationary Sources*, Code of Federal Regulations, 40 CFR, Ch. 1, Part 60, Appendix A (1991).

-
10. *Determination of Nitrogen Oxides, Carbon Monoxide, and Oxygen Emissions from Natural Gas-Fired Engines, Boilers, and Process Heaters Using Portable Analyzers*, Conditional Test Method (CTM)-030, U.S. EPA, Office of Air Quality Planning and Standards, Emission Measurement Center, October 13, 1997.

**Appendix A
Data Recording Sheets**

Linearity Test Data Sheet

Date: _____ Vendor/Analyzer: _____

Form Filled Out By: _____

Pre-Test Z/Span: Unit A: Zero (NO/NO₂) / Span (NO/NO₂) /

Unit B: Zero (NO/NO₂) / Span (NO/NO₂) /

	NO Test		NO ₂ Test	
Time Response	Unit A (NO/NO ₂)	Unit B (NO/NO ₂)	Unit A (NO/NO ₂)	Unit B (NO/NO ₂)
1.	<u> / </u>	<u> / </u>	1.	<u> / </u>
2.	<u> / </u>	<u> / </u>	2.	<u> / </u>
3.	<u> / </u>	<u> / </u>	3.	<u> / </u>
4.	<u> / </u>	<u> / </u>	4.	<u> / </u>
5.	<u> / </u>	<u> / </u>	5.	<u> / </u>
6.	<u> / </u>	<u> / </u>	6.	<u> / </u>
7.	<u> / </u>	<u> / </u>	7.	<u> / </u>
8.	<u> / </u>	<u> / </u>	8.	<u> / </u>
9.	<u> / </u>	<u> / </u>	9.	<u> / </u>
10.	<u> / </u>	<u> / </u>	10.	<u> / </u>
11.	<u> / </u>	<u> / </u>	11.	<u> / </u>
12.	<u> / </u>	<u> / </u>	12.	<u> / </u>
13.	<u> / </u>	<u> / </u>	13.	<u> / </u>
14.	<u> / </u>	<u> / </u>	14.	<u> / </u>
15.	<u> / </u>	<u> / </u>	15.	<u> / </u>
16.	<u> / </u>	<u> / </u>	16.	<u> / </u>
17.	<u> / </u>	<u> / </u>	17.	<u> / </u>
18.	<u> / </u>	<u> / </u>	18.	<u> / </u>
19.	<u> / </u>	<u> / </u>	19.	<u> / </u>
20.	<u> / </u>	<u> / </u>	20.	<u> / </u>
21.	<u> / </u>	<u> / </u>	21.	<u> / </u>

Post-Test Z/Span: Unit A: Zero (NO/NO₂) / Span (NO/NO₂) /

Unit B: Zero (NO/NO₂) / Span (NO/NO₂) /

Interrupted Sampling Data Sheet

Date: _____ Vendor/Analyzer: _____

Form Filled Out By: _____

Pre-Shut Down Z/Span:

Date: _____ Time: _____

Unit A (NO/NO₂) Zero _____ / _____ Span _____ / _____

Unit B (NO/NO₂) Zero _____ / _____ Span _____ / _____

Post-Shut Down Z/Span:

Date: _____ Time: _____

Unit A (NO/NO₂) Zero _____ / _____ Span _____ / _____

Unit B (NO/NO₂) Zero _____ / _____ Span _____ / _____

Interference Test Data Sheet

Date: _____ Vendor/Analyzer: _____

Form Filled Out By: _____

<u>Interference Gas</u>	<u>Concentration</u>	<u>Response (NO/NO₂)</u>	
		<u>Unit A</u>	<u>Unit B</u>
Zero	--	<u>/</u>	<u>/</u>
CO	496 ppm	<u>/</u>	<u>/</u>
Zero	--	<u>/</u>	<u>/</u>
CO ₂	5.03%	<u>/</u>	<u>/</u>
Zero	--	<u>/</u>	<u>/</u>
NH ₃	494 ppm	<u>/</u>	<u>/</u>
Zero	--	<u>/</u>	<u>/</u>
Hydrocarbons	590 ppm	<u>/</u>	<u>/</u>
Zero	--	<u>/</u>	<u>/</u>
SO ₂	501 ppm	<u>/</u>	<u>/</u>
Zero	--	<u>/</u>	<u>/</u>
SO ₂ + NO	451 ppm + 393 ppm	<u>/</u>	<u>/</u>

Flow Rate Sensitivity Data Sheet

Date: _____ Vendor/Analyzer: _____

Form Filled Out By: _____

Flow Rate Data:	Unit A <u>(ccm)</u>	Unit B <u>(ccm)</u>
Ambient P	_____	_____
+10 in H ₂ O	_____	_____
-10 in H ₂ O	_____	_____

Response Data:		Unit A <u>(NO/NO₂)</u>	Unit B <u>(NO/NO₂)</u>
Ambient P	Zero	/	/
	NO Span	/	/
	Zero	/	/
	NO ₂ Span	/	/
	Zero	/	/
+10 in H ₂ O	Zero	/	/
	NO Span	/	/
	Zero	/	/
	NO ₂ Span	/	/
	Zero	/	/
-10 in H ₂ O	Zero	/	/
	NO Span	/	/
	Zero	/	/
	NO ₂ Span	/	/
	Zero	/	/

Ambient Temperature Test Data Sheet

Date: _____ Vendor/Analyzer: _____

Form Filled Out By: _____

Room Temperature: _____

	Response (NO/NO ₂)	
	Unit A	Unit B
Zero	<u> / </u>	<u> / </u>
NO Span	<u> / </u>	<u> / </u>
NO ₂ Span	<u> / </u>	<u> / </u>
Zero	<u> / </u>	<u> / </u>

Cold Chamber Temperature: _____

Zero	<u> / </u>	<u> / </u>
NO Span	<u> / </u>	<u> / </u>
NO ₂ Span	<u> / </u>	<u> / </u>
Zero	<u> / </u>	<u> / </u>

Heated Chamber Temperature: _____

Zero	<u> / </u>	<u> / </u>
NO Span	<u> / </u>	<u> / </u>
NO ₂ Span	<u> / </u>	<u> / </u>
Zero	<u> / </u>	<u> / </u>

Room Temperature: _____

Zero	<u> / </u>	<u> / </u>
NO Span	<u> / </u>	<u> / </u>
NO ₂ Span	<u> / </u>	<u> / </u>
Zero	<u> / </u>	<u> / </u>

Accuracy Test Data Sheet: Rangetop Combustion

Date _____ Vendor Analyzer: _____

Form Filled Out By: _____

Pre-Test Zero/Span

Calibration Gas & Concentration: _____ Instrument Range: _____

Calibration Gas & Concentration: _____ Instrument Range: _____

Unit 14A: Zero (NO/NO₂/NO_x) ____/____/____ Span (NO/NO₂/NO_x) ____/____/____

Unit 10: Zero (NO/NO₂/NO_x) ____/____/____ Span (NO/NO₂/NO_x) ____/____/____

	<u>Unit 14A</u> (NO/NO ₂ /NO _x)	<u>Unit 10</u> (NO/NO ₂ /NO _x)
1.	____/____/____	____/____/____
2.	____/____/____	____/____/____
3.	____/____/____	____/____/____
4.	____/____/____	____/____/____
5.	____/____/____	____/____/____
6.	____/____/____	____/____/____
7.	____/____/____	____/____/____
8.	____/____/____	____/____/____
9.	____/____/____	____/____/____

Post-Test Zero/Span

Calibration Gas & Concentration: _____ Instrument Range: _____

Calibration Gas & Concentration: _____ Instrument Range: _____

Unit 14A: Zero (NO/NO₂/NO_x) ____/____/____ Span (NO/NO₂/NO_x) ____/____/____

Unit 10: Zero (NO/NO₂/NO_x) ____/____/____ Span (NO/NO₂/NO_x) ____/____/____

Accuracy Test Data Sheet: Water Heater Combustion

Date _____ Vendor Analyzer: _____

Form Filled Out By: _____

Pre-Test Zero/Span

Calibration Gas & Concentration: _____ Instrument Range: _____

Calibration Gas & Concentration: _____ Instrument Range: _____

Unit A: Zero (NO/NO₂/NO_x) ____/____/____ Span (NO/NO₂/NO_x) ____/____/____

Unit B: Zero (NO/NO₂/NO_x) ____/____/____ Span (NO/NO₂/NO_x) ____/____/____

	<u>Unit A</u> (NO/NO ₂ /NO _x)	<u>Unit B</u> (NO/NO ₂ /NO _x)
1.	____/____/____	____/____/____
2.	____/____/____	____/____/____
3.	____/____/____	____/____/____
4.	____/____/____	____/____/____
5.	____/____/____	____/____/____
6.	____/____/____	____/____/____
7.	____/____/____	____/____/____
8.	____/____/____	____/____/____
9.	____/____/____	____/____/____

Post-Test Zero/Span

Calibration Gas & Concentration: _____ Instrument Range: _____

Calibration Gas & Concentration: _____ Instrument Range: _____

Unit A: Zero (NO/NO₂/NO_x) ____/____/____ Span (NO/NO₂/NO_x) ____/____/____

Unit B: Zero (NO/NO₂/NO_x) ____/____/____ Span (NO/NO₂/NO_x) ____/____/____

Accuracy Test Data Sheet: Diesel-Engine Combustion

Date _____ Vendor Analyzer: _____

Form Filled Out By: _____

Pre-Test Zero/Span

Calibration Gas & Concentration: _____ Instrument Range: _____

Calibration Gas & Concentration: _____ Instrument Range: _____

Unit 14A: Zero (NO/NO₂/NO_x) ____/____/____ Span (NO/NO₂/NO_x) ____/____/____

Unit 10: Zero (NO/NO₂/NO_x) ____/____/____ Span (NO/NO₂/NO_x) ____/____/____

	<u>Unit 14A</u> (NO/NO ₂ /NO _x)	<u>Unit 10</u> (NO/NO ₂ /NO _x)
1.	____/____/____	____/____/____
2.	____/____/____	____/____/____
3.	____/____/____	____/____/____
4.	____/____/____	____/____/____
5.	____/____/____	____/____/____
6.	____/____/____	____/____/____
7.	____/____/____	____/____/____
8.	____/____/____	____/____/____
9.	____/____/____	____/____/____

Post-Test Zero/Span

Calibration Gas & Concentration: _____ Instrument Range: _____

Calibration Gas & Concentration: _____ Instrument Range: _____

Unit 14A: Zero (NO/NO₂/NO_x) ____/____/____ Span (NO/NO₂/NO_x) ____/____/____

Unit 10: Zero (NO/NO₂/NO_x) ____/____/____ Span (NO/NO₂/NO_x) ____/____/____

Measurement-Stability Test Data Sheet: Diesel-Engine Combustion

Date _____ Vendor Analyzer: _____

Form Filled Out By: _____

Diesel-Engine Load: _____

<u>Time</u> (t+min#)	<u>Unit A</u> (NO/NO ₂ /NO _x)	<u>Unit B</u> (NO/NO ₂ /NO _x)
1.	____/____/____	____/____/____
2.	____/____/____	____/____/____
3.	____/____/____	____/____/____
4.	____/____/____	____/____/____
5.	____/____/____	____/____/____
6.	____/____/____	____/____/____
7.	____/____/____	____/____/____
8.	____/____/____	____/____/____
9.	____/____/____	____/____/____
10.	____/____/____	____/____/____
11.	____/____/____	____/____/____
12.	____/____/____	____/____/____
13.	____/____/____	____/____/____
14.	____/____/____	____/____/____
15.	____/____/____	____/____/____
16.	____/____/____	____/____/____
17.	____/____/____	____/____/____
18.	____/____/____	____/____/____
19.	____/____/____	____/____/____
20.	____/____/____	____/____/____
21.	____/____/____	____/____/____
22.	____/____/____	____/____/____
23.	____/____/____	____/____/____
24.	____/____/____	____/____/____
25.	____/____/____	____/____/____
26.	____/____/____	____/____/____
27.	____/____/____	____/____/____
28.	____/____/____	____/____/____
29.	____/____/____	____/____/____
30.	____/____/____	____/____/____

Measurement-Stability Test Data Sheet: Diesel-Engine Combustion

Date _____ Vendor Analyzer: _____

Form Filled Out By: _____

Diesel-Engine Load: _____

Time (t + min#)	Unit A (NO/NO ₂ /NO _x)	Unit B (NO/NO ₂ /NO _x)
31.	____/____/____	____/____/____
32.	____/____/____	____/____/____
33.	____/____/____	____/____/____
34.	____/____/____	____/____/____
35.	____/____/____	____/____/____
36.	____/____/____	____/____/____
37.	____/____/____	____/____/____
38.	____/____/____	____/____/____
39.	____/____/____	____/____/____
40.	____/____/____	____/____/____
41.	____/____/____	____/____/____
42.	____/____/____	____/____/____
43.	____/____/____	____/____/____
44.	____/____/____	____/____/____
45.	____/____/____	____/____/____
46.	____/____/____	____/____/____
47.	____/____/____	____/____/____
48.	____/____/____	____/____/____
49.	____/____/____	____/____/____
50.	____/____/____	____/____/____
51.	____/____/____	____/____/____
52.	____/____/____	____/____/____
53.	____/____/____	____/____/____
54.	____/____/____	____/____/____
55.	____/____/____	____/____/____
56.	____/____/____	____/____/____
57.	____/____/____	____/____/____
58.	____/____/____	____/____/____
59.	____/____/____	____/____/____
60.	____/____/____	____/____/____

Appendix B
External Technical Systems Audit Report

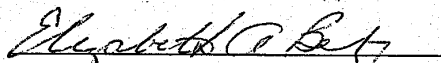
Environmental Technology Verification Program

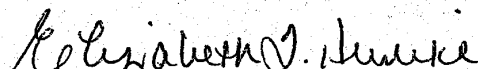
Advanced Monitoring Systems Pilot

Air Monitoring Systems

NO/NO₂ Monitors Verification Test
January 20-21, 1999 Audit

Audit Report: ETVAMS001
Revision 1


Elizabeth A. Betz


Elizabeth T. Hunike

1.0 Audit Information

1.1 Auditors:

Elizabeth A. Betz
Human Exposure & Atmospheric Sciences Division
U. S. EPA, NERL (MD-77)
Research Triangle Park, NC 27711
(919) 541-1535

Elizabeth T. Hunike
Atmospheric Methods & Monitoring Branch
Human Exposure & Atmospheric Sciences Division
U. S. EPA, NERL (MD-46)
Research Triangle Park, NC 27711
(919) 541-3737

1.2 Dates of Audit: January 20-21, 1999

1.3 Location of Audit: Battelle Memorial Institute, Columbus, Ohio

1.4 Battelle Staff Interviewed and/or Observed:

Karen Riggs	ETV AMS Pilot Manager
Susan Abbgly	QA/QC Reviewer
Sandy Anderson	QA Manager
Verification Test Team:	
Tom Kelly	Verification Test Leader
Joe Tabor	Laboratory Verification Testing
Jim Reuther	Emission Source Verification Testing
Steve Speakman	Operator, Emission Sources/Reference Method

2.0 Background

Throughout its history, the U.S. EPA has evaluated technologies to determine their effectiveness in preventing, controlling, and cleaning up pollution. EPA has expanded these efforts by instituting the Environmental Technology Verification Program (ETV) to verify the performance of a larger number of innovative technical solutions to problems that threaten human health or the environment. The goal of ETV is to verify the environmental performance characteristics of commercial-ready technology through the evaluation of objective and quality assured data, so that potential purchasers and permittees are provided with an independent and credible assessment of what they are buying and permitting. The ETV Program Verification Strategy outlines the goals, operating principles, pilot selection criteria, and implementation activities. ETV includes twelve pilot projects. In these pilots, EPA is using the expertise of partner verification organizations to design efficient processes for conducting performance tests of innovative technologies. The implementation activities involve forming stakeholder groups who identify technologies needing verification, designing a generic verification protocol and then Test/QA

Plans for the specific technology to be verified. The verification tests are run on the identified technologies wishing to participate and verification statements based on the test results are generated.

One pilot, entitled Advanced Monitoring Systems (AMS), is to verify the performance of commercially available technologies used to monitor for environmental quality in air, water and soil. This pilot is managed by EPA's National Exposure Research Laboratory in Research Triangle Park, North Carolina and their verification partner for the AMS pilot project is Battelle Memorial Institute, Columbus, Ohio. This pilot has been divided into three sub-pilots, each looking at monitoring systems for a specific media, air, water and, eventually, soil. The Air AMS portion has evolved to the point of actually running verification tests on available air monitoring instrumentation.

3.0 Scope of Audit

3.1 Audit Preparation. The auditors reviewed the following documents pertinent to the ETV AMS Pilot:

- a. *Environmental Technology Verification Program Quality and Management Plan for the Pilot Period (1995-2000), May 1998*
- b. *Environmental Technology Verification Program Quality Management Plan for the ETV Advanced Monitoring Systems Pilot, September 1998*
- c. *Test/QA Plan for Verification of Portable NO/NO₂ Emission Analyzers, December 4, 1998*
- d. *U. S. EPA Method 6C, Determination of Sulfur Dioxide Emissions from Stationary Sources (Instrumental Analyzer Procedure)*
- e. *U. S. EPA Method 7E, Determination of Nitrogen Oxides Emissions from Stationary Sources (Instrumental Analyzer Procedure)*

Based on the above material, a checklist was prepared. The U. S. EPA ETV AMS Pilot Manager, Robert G. Fuerst, was provided the checklist prior to the audit. The completed checklist for this audit is attached.

3.2 Audit Scope.

The audit encompassed a technical systems audit of a verification test (VT) on nitrogen oxides monitors at Battelle. A technical systems audit is a qualitative onsite audit of the physical setup of the test. The auditors determine the compliance of testing personnel with the test/QA plan. The auditors were on site from Wednesday afternoon through Thursday afternoon. The technical systems audit was performed on the flow rate and ambient temperature of the laboratory portion of the VT and the relative accuracy tests with the gas cooktop, water heater and a portion of the lower range emissions of a diesel generator. No performance evaluations were conducted as a part of this audit.

4.0 Executive Summary

4.1 The VT is well-managed, particularly considering its complexity. All personnel appeared to be well-trained for their particular duties. All involved showed enthusiasm and ingenuity during the VT.

4.2 The significant findings of this audit, cited in paragraph 5.0 below, had also been found by Battelle's QA staff during their audit earlier in the VT.

4.3 The technical systems audit showed that the VT personnel were very familiar with the Test/QA Plan. With one exception, differences for this VT from the original Test/QA Plan were well documented by deviation reports on file at Battelle. The deviation report format includes a date, cites the deviation, provides an explanation of the deviation and requires an approving Battelle signature. It was impressive that the deviation reports were present and were completed up front. The one difference from the VT that was not cited in a deviation report was that Battelle had intended to run an analyzer already on hand completely through the VT before the first vendor's analyzer. This was not done nor was a deviation report generated. The remaining differences were cited in the deviation reports.

5.0 Major Findings

5.1 Undocumented Deviation from the Test/QA Plan. The undocumented deviation was from section 5.6, Test Schedule, and stated "to avoid bias in testing of the first analyzers through the sequence, Battelle's personnel will first conduct the entire test sequence using an analyzer already on hand at Battelle. Testing will then continue with analyzers named in section 2.4." Due to a delay in the arrival of the protocol gases used in the VT, Battelle did not run one of their instruments through the test sequence. As a result a leak in the gas supply system in the laboratory test portion was not detected before the first vendor started the VT sequence.

5.2 Initial Calibration of Instruments for Emission Source Testing. The Test/QA Plan states that "the chemiluminescent monitors to be used for Method 7E reference measurements will be subjected to a 4-point calibration with NO prior to the start of verification testing, on each measurement range to be used for verification." The initial Emission's portion of the VT was started on January 13, 1999. There was no 4-point calibration with NO recorded in the Emission's VT laboratory notebook prior to the January 13th testing. This finding is also a finding in Battelle's Internal Audit conducted during the first week of the VT.

6.0 Results of Technical Systems Audit

6.1 Organization. The Battelle ETV AMS VT team consisted of four members. All team members were very knowledgeable of the procedures and helpful to the auditors. There are also two Battelle Quality Assurance staff members that are members of the ETV AMS team. Both were available and very helpful to the auditors. These Battelle QA staff members are responsible for running the internal audits required by the ETV related QMPs. One such audit was conducted the week prior to this EPA audit.

6.1.1 The Test/QA Plan stated that a Dr. Agnes Kovacs would be providing statistics and data analysis for this VT. One of the documented deviations was that Dr. Kovacs would not be participating in the VT as she has left Battelle. Although the deviation report stated that someone in the Statistics and Data Analysis Department would be taking her place, there was no indication in the deviation report as to who it would be.

6.2 Gas Cylinder Certifications. A review of the gas cylinder certifications uncovered some minor discrepancies. The expiration date on two of the cylinder certifications did not match the expiration date on the cylinders. The discrepancy was corrected by the gas manufacturer on the day of inspection. Battelle did not initially have certifications for the gas cylinders used in the source test. The gas manufacturer was contacted by phone and faxed in certifications for 3 of the 4 cylinders. The original certificates were later located on one of the team member's desk. The gas cylinder for one of the certificates reviewed was not found among the ETV VT equipment.

6.3 Temperature Sensor Certification. The certificate in the notebook maintained for the Laboratory Test Portion was for Model 402A, Serial # 40215 Temperature Indicator. This indicator was not seen by the Auditors. The Temperature Indicator used in the Laboratory Test portion to read the temperature of the monitors during the Ambient Test was Model 400A, decal # LN-560558. The certificate was not in the notebook, however, the indicator did have a label on it that stated that it was certified 1-7-99. Discussion with Susan Abby, after the audit, clarified that LN-560558 was an internal Battelle laboratory number and that the manufacturer's serial number on LN-560558 was 40215. However, the certificate did reflect an incorrect model number for Temperature Indicator Serial # 40215.

6.4 Deviation Reports. The dated reports cited the deviation, provided an explanation/justification of the deviation and required an approving Battelle signature. It was impressive that the deviations reports were present and were completed up front.

6.4.1 The Flow Rate Sensitivity Test procedure had three deviation reports. The Test/QA Plan called for the use of 60% span value during the test. A deviation report cited that this was changed to 70% span value to correlate to the Linearity Test. The two other reports related to the Flow Rate Sensitivity Test were very similar and called for a change in the order of the procedure to reduce the amount of plumbing changes required.

6.4.2 The Ambient Temperature Test had one deviation report. The order of the test was changed. The procedure called for doing a cooled chamber test first and then hot. The deviation report stated that all VTs will be done in the reverse order. The reason for the deviation was based on discussions with the vendors that indicated the rise in temperature after exposure to NO may cause more drift. The order was reversed to more clearly observe any drift.

6.4.2.1 During the Ambient Temperature Test observed, slight changes were made to accommodate the mass of the monitors. The vendor's monitors were larger than previous monitors and generated and held heat longer. The door to the heated chamber, once the monitors reached its temperature, had to remain slightly ajar to hold the chamber temperature at a constant value. The heated monitors were then placed in the cold chamber (a standard household refrigerator). The heat given off by the monitors raised the temperature in the refrigerator over 100°F. To obtain a cooled chamber reading the team members relocated the monitors to the outdoors which produced a cooled ambient temperature within the 45°F ±5°F for the one hour required for temperature equilibration and the additional time required to perform the zero and span check. This was a fine example of the ingenuity the VT team members showed to accommodate differences in monitors.

6.4.3 Interference Test. The mixture of SO₂ and NO for the Interference Test was changed from interferant levels of 250 ppm each of SO₂ and NO to interferant levels of 451 ppm SO₂ and 393

ppm NO. According to the deviation report, this change was made because the NO standard available wasn't at the anticipated concentration when the Test/QA Plan was written.

6.4.4 Source Testing.

6.4.4.1 The Test/QA Plan cited the use of two diesel generators for the Source Test. The selection of these generators was made based on studies that Battelle had used in the past that provided a database of emission levels generated by these sources. However, these generators were property of the Air Force and were unavailable at the time of the VT due to military activities in the Middle East. Battelle substituted one generator they had on site and collected emission data at two speeds to provide two higher emission levels than previously provided by the cooktop or water heater. This substituted generator produced two levels of emissions; however, neither level was over 500 ppm of NO. The database that Battelle had on the originally planned generators showed that one model would produce ranges between 100-1000 ppm NO_x and the second model would produce ranges between 600-2300 ppm NO_x. The impact of this change is that there will be no verification for higher ranges.

6.4.4.2 The oxygen sensor was not used during the source test. This VT's focus was the verification of NO/NO₂ levels and not to compare oxygen data. Source stability will be documented by NO_x measurements instead of oxygen measurements. The source stability for the water heater and the cooktop is also documented in two Battelle reports on data from these specific sources used in interlaboratory comparisons from 1994 through 1998. The initial generators planned for the VT also had similar data bases. The source stability of the generator actually used was verified by data collected in December and January prior to the VT. The actual data collected by the reference monitors during the VT also verified the source stability.

6.4.4.3 ThermoEnvironmental Models 14A and 10 NO/NO₂ analyzers were used for the reference method. The Test/QA Plan called for identical Beckman Model 955 monitors. The reason stated in the deviation report for the substitution was that the Thermo Instruments are newer and are in more current use.

6.4.4.4 Triplicate readings of calibration points were not run in the calibration of the reference method analyzers. Method 7E does not require triplicate readings of calibration points.

6.4.4.5 One deviation report addressed the use of unheated sample lines and poly tubing. The Test/QA Plan is based on EPA Method 7E but based on Battelle's own experience with the sources in the laboratory environment an unheated inlet was used. Additionally it should be noted that the VT is conducted inside in a laboratory setting with controlled temperature and humidity and Method 7E is for stack sampling. The only comment on this deviation report is that the originator of the deviation signed the report instead of obtaining an independent approval signature.

6.5 Leak Detected in the System in the Laboratory Test Portion. During the first vendors' laboratory test portion, a leak was detected in the system. The data sheets for the laboratory test portion of the first vendor's VT showed a note that a leak was detected and the vendor recorded oxygen levels. Also noted on the data sheet was a correction factor that would be used on the vendor's data that was made based on the vendor's oxygen readings. The correction factor notes were brought to the auditor's attention by Battelle's QA staff. Because the VT did no verification of oxygen levels,

the correction factor may be inaccurate. As part of the documentation for that VT, the accuracy of the oxygen readings by the vendor needs to be addressed.

6.6 Initial Calibrations and Tests in the Source Laboratory. As stated under major findings, paragraph 5.2 above, the initial calibrations of the chemiluminescent monitors used as the Method 7E references were not done before the first VT. In addition no interference test was conducted prior to 1-18-99 which was after the second VT. However, all subsequent VTs had the required initial calibration and interference tests. This was also a finding in Battelle's internal audit conducted a week earlier. Battelle will need to address this in the VT report.

6.7 Corrections of Data Sheets. In most instances, corrections made on the data sheets followed Good Laboratory Practices; however, some did not (i.e., one line was not drawn through the incorrect entry and the correction was not dated and initialed).

6.8 Source Laboratory Notebook Entries. The initial entries were difficult to follow because the writing was almost illegible and there were missing entries. However, with the exception of the first VT, the four-point initial calibrations are recorded and the time and dates of the VTs are also shown. The actual source test data are recorded on data sheets. The notebook is only used to record the calibration and interference test data on the reference monitors and to record the times, dates and comments on the VTs.

Checklist for Verification Test (VT) of Portable NO/NO₂ Emission Analyzers

Date(s): January 20-21, 1999

Location: Battelle, Columbus, Ohio

Personnel Involved in the Audit:

	Titles	Names
EPA Auditor(s):		Elizabeth Betz
		Elizabeth Hunike
Battelle QA Rep present:	QA/QC Reviewer	Susan Abbgly
	QA Manager	Sandy Anderson
Battelle Auditees:	ETV AMS Pilot Manager	Karen Riggs
	Verification Test Leader	Tom Kelly
	Laboratory Verification Testing	Joe Tabor
	Emission Source Verification Testing	Jim Reuther
	Operator, Emission Sources/Reference Method	Steve Speakman
Vendor(s) Present:	Horiba	J. David Vojtko

General		Comments
Are the Testers familiar with:	ETV QMP	All staff seem familiar with the documents and there are copies of each in the ETV reference notebooks maintained in the Laboratory and Source Testing areas
	Verification Protocol	
	Test/QA Plan	
	QA Manager	
Generic Verification Protocol:	Finalized?	The Protocol has been finalized and is in the process of being placed on the web.
Test Plan:	Approved and Signed?	The test plan has been reviewed by the vendors. Approval signatures have been received as vendors have arrived to participate in the verification test

Technologies:

-Electrochemical (EC) sensors

Testo's Model 350 electrochemical NO and NO₂ analyzer

Also by direct measurement: O₂, CO, SO₂, Stack Temperature, Stack Pressure

By calculation: CO₂

Energy Efficiency System's ENERAC 3000SEM electrochemical NO & NO₂ analyzer

Also by direct measurement: O₂, CO, SO₂, CO₂, Stack Temperature

TSP's COMBUCHECK electrochemical NO or NO₂ analyzer

ECOM's A-Plus electrochemical NO and NO₂ analyzer

Also by direct measurement: O₂, CO, SO₂, Stack Temperature, Stack Pressure

By calculation: CO₂

-Chemiluminescence emitted from the reaction of NO with O₃ produced within the analyzer

Horiba's Model PG-250 portable gas analyzer

Also by direct measurement: O₂, CO, SO₂, CO₂

The audit was run during the second week of the Test Plan and the 4th vendor was being verified. The vendor was Horiba.

Pre-Test Requirements:

Dry Gas Meter:

Initial Calibration Date: See Below

Accurate within 1% and measured in ft³

Calibrated against a volumetric standard within 6 months preceding VT

During VT, checked at least once, against reference meter

In-Line Meter, Serial # 1036707, Rockwell R-275, certified 1/18/99

Reference Meter model DTM 115 certified 9/22/98

Temperature Sensor/Thermometers:

Initial Calibration Date: See Below

Calibrated against a certified temp. measurement standard within 6 months preceding VT

During VT, checked at least once, against an ASTM mercury-in-glass reference thermometer at ambient temperature and be within 2%.

Temperature Indicator, Serial #40215, Model 402A, certified 1/7/99, certificate available but didn't

locate this indicator. Temp indicator in Lab, LN-560558, Model 400A, certified 1/7/99.

Oxygen Monitor:

Initial Calibration Date: _____

Calibrated within the last six months

During VT, checked once every test day by sampling of ambient air

During operation of one combustion source, assessed for accuracy

Did not use as cited in a documented deviation report.

Chemiluminescent Monitors to be used for Method 7E

Initial Interference Response conducted prior to VT	Date: <u>See Below</u>
Measurement System Preparation prior to VT	Date: <u>See Below</u>
Analyzer Calibration Error prior to VT	Date: <u>See Below</u>
Sampling System Bias Check prior to VT	Date: <u>See Below</u>
NO ₂ to NO Conversion Efficiency	Date: <u>See Below</u>

Calibrations Initial Calibration Date: See Below
4-point calibration with NO & NO₂ prior to VT, on each measurement range

For Horiba's VT both were run 1/20/99, however neither were done before first VT. Interference response was conducted prior to Horiba's VT but not prior to the first VT.

Each point shall be prepared in triplicate - cited in a documented deviation report

Calibration error requirement: $<\pm 2\%$ of span for the zero, midrange and high-range calibration gases.

Zero and Span checks done daily AM and PM during the VT

Observed AM checks before source test, not present for PM.

Gas Dilution System Initial Calibration Date: 12/16/98
Flow measurement/control devices calibrated prior to VT by soap bubble flow meter.

Calibration Standards:

EPA Protocol 1 Gases (Calibration paperwork available):
NO in N₂, High Range: 80-100% of span
Mid-Range: 40-60% of span
Zero: Concentration $\leq 0.25\%$ of span, ambient air

Protocol Cylinder # ALM057210 expiration date on certificate and cylinder tag did not match.

Cylinder # ALM017108 expiration date on certificate and cylinder tag did not match.

Certificate available for Cylinder # ALM036273 but could not locate cylinder.

Certificates for Source Lab cylinders (AAL14789, ALM014050, AAL17452, ALM015489) could not be initially located.

Sample Location:

Minimum of 8 duct diameters downstream and 2 duct diameters upstream of flow disturbances and center point of the flue vent

The minimal distances from flow disturbances cited in the Reference Method relate to particulate and are not critical for gases and were not used. Vendor's instrument sampling tubes were placed beside those for the reference instruments.

Day One - Laboratory Tests:

Linearity: (response over the full measuring range) - Not Observed

21 measurements for each analyte (NO, NO₂ or NO_x)

Zero six times, each other three times

Calibration points used: 0, 10, 20, 40, 70 and 100% of the analyzer's measuring range

Horiba: 0-25, 0-50, 0-100, 0-250, 0-500, 0-1000, 0-2500

0, 250, 500, 1000, 1750 for 0-2500

Initial Zero and Span check?

After every three points, pure dilution gas provided and the analyzers' readings recorded?

Is the order of concentration points followed?

Final Zero and Span Check?

Linearity test was not observed; however, data sheets were examined. The 100% span used for the Horiba was 500 ppm. The laboratory log sheets verified that 21 measurements were made, the order of concentration points cited was used, and that initial and final Zero and Span checks were done.

Response Time Determinations - Not Observed

Analyzer's response recorded at 10 second intervals during Response Time check (estimated to be 30 readings)

Detection Limit - Not Observed

Detection limit is based on data from zero and 10% readings during Linearity test (9 readings)

Interrupted Sampling (four readings total) - Not Observed

Zero and Span recorded at end of Linearity Test on Day One

Day Two - Laboratory Tests

Interrupted Sampling continued - Not Observed

Zero and Span are recorded after analyzer has been powered up before any adjustments

Same Span from previous day is used

Interference Tests: - Not Observed

Actual concentrations were obtained from the data sheets. A documented deviation cited the change in the SO₂ and NO interferant concentrations.

Interferant	Interferant Concentration	Target Analyte
CO	500 ppm - Actual concentration used - 496 ppm	NO, NO ₂ , NO _x
CO ₂	5% - Actual percentage used - 5.03%	NO, NO ₂ , NO _x
SO ₂	500 ppm - Actual concentration used - 501 ppm	NO, NO ₂ , NO _x
NH ₃	500 ppm - Actual concentration used - 494 ppm	NO, NO ₂ , NO _x
Hydrocarbon Mixture	~ 500 ppm C ₁ , ~ 100 ppm C ₂ , ~ 50 ppm C ₃ and C ₄ Hydrocarbon concentration used - 590 ppm	NO, NO ₂ , NO _x
SO ₂ and NO	250 ppm each - Actual concentration used - 451 ppm SO ₂ & 393 ppm NO	NO, NO ₂ , NO _x

Analyzer zeroed first and recorded

Interferant gas supplied, analyzer stabilized and analyte concentrations recorded (6 readings)

Flow Rate Sensitivity (9 readings) - Not Observed

Type of flow measuring device: automated bubble flowmeter, rotameter, or other

Ambient atmosphere and ambient flow rate recorded

Zero gas provided and recorded, span gas provided and recorded, zero provided again and recorded

Adjust pressure in system to +10" of water, record flow rate, repeat zero, span and zero

Adjust pressure in system to -10" of water, record, flow rate, repeat zero, span and zero

A leak was detected during the running of the flow rate test for the first vendor. The data sheets reflect this and also indicate a correction factor would be used in the calculations. The correction factor was based on the O₂ value recorded on the vendor's monitors.

Ambient Temperature (12 readings)

Room Temperature recorded (assumed to be above 45°F and below 105°F)

Zero and Span and Zero done at each temperature

Instrument allowed to equilibrate to chamber temperature for 1 hour

The ambient temperature test was observed. Room temperature readings were done first. Then the monitors were placed in a heated chamber at 105°F at 13:24 and first readings were at 14:45. The chamber door had to remain slightly ajar to keep the temperature constant. Next the monitors were placed in the cooling chamber which was a household refrigerator. The heated monitors kept overheating the refrigerator. After the initial hour to equilibrate the monitors, the refrigerator temperature was at 110° F. To obtain the cooled ambient temperature needed for the test, the monitors were placed out the laboratory window onto the adjacent roof for an hour and were brought to 47°F. The cooling chamber test readings were taken from 6:38 pm to 6:43 pm. This showed great ingenuity of the laboratory test staff to obtain the required ambient conditions for the test.

Day Three and Four - Source Tests

Method 7E

Measurement System Performance - Chemiluminescent Monitors

Thermo Environmental Instruments Model 10 and Model 14A. Data were recorded off a voltage meter attached to each instrument and voltage readings were then converted to concentrations. The Fluke voltage meter attached to Model 14A was calibrated 11/2/98 and the one attached to Model 10 was calibrated 11/3/98.

Zero Drift: $\leq \pm 3\%$ of the span over the period of each run

Calibration Drift: $\leq \pm 3\%$ of the span over the period of each run

Interference Check: $\leq \pm 7\%$

Measurement System Specifications:

A documented deviation cited changes to the sample probe and lines initially indicated to be allowed by EPA Method CTM-022 but later revised per July 16, 1999 letter from Battelle indicating the changed was based on Battelle's own experience with the sources used in the laboratory environment.

Sample Probe - Glass, stainless steel, or equivalent

Sample Line - Heated stainless steel or Teflon tubing

Sample Transport Lines - Stainless Steel or Teflon tubing

Calibration Valve Assembly - 3-way valve assembly or equivalent

Moisture Removal System - refrigerator-type condenser or similar device(?) - Ice Chest was used.

Particulate Filter - borosilicate or quartz glass wool or glass fiber mat, non-reactive with NO_x,
in-stack or heated out-of-stack

Sample Pump - Leak free pump of any non-reactive material

Sample Flow Rate Control - control valve and rotameter or equivalent

Sample Gas Manifold - any non-reactive material

Data Recorder - strip chart recorder, analog computer or digital recorder;
resolution shall be 0.5% of span

A data recorder was not used. The test data was recorded on log sheets, one filled out by the vendor on his monitors and one filled out by source laboratory operator for the reference monitors. Calibrations prior to VT are recorded in a bound notebook. Entries are also made to indicate the date and times the VTs in the source laboratory were run.

Sampling:

Measurements obtained only after twice the response time has elapsed

Zero and Calibration Drift tests performed immediately preceding and following every run

Adding zero gas & calibration gas (closely approximates the source) at calibration valve

Sampling continues only when zero and calibration drift are within specifications

Emission Calculations: - No calculations were observed

Concentrations are: avg readings (initial & final sampling system bias checks are averaged)
adjusted for the zero and upscale sampling system bias checks

Relative Accuracy Tests

Low NO_x Sources

Gas Cooktop: NO and NO₂ ranges 1-9 ppm
 Must operate continuously during test (can't cycle off)
 Must operate at steady-state (See Page 8 or 9)

Condition/Specification	Comments
Analyzers (two each) zeroed and span checked initially only	✓ - Span was 20 ppm NO and 10 ppm NO ₂
Sampling probes of analyzers placed beside reference method probe	✓ - Lines to instruments are then connected into a metal tube to top of stove top.
Analyzers are allowed to stabilize	✓
After initial readings, probes are switched to ambient air and stabilized	✓
Sample Probes are returned to source for a total of nine samplings	✓
Final zero and span check conducted on analyzer after each source, using the same span as initial check	✓

The cooktop used in the VT has been used by Battelle in a previous study. The data on the source levels generated by the cooktop are documented in a Battelle report entitled "An Interlaboratory Program to Validate a Protocol for the Measurement of NO₂ Emissions from Rangetop Burners." The data covers 1994 through 1998.

The gas supply for the cooktop is from a certified cylinder without sulfur.

Water Heater: NO and NO₂ ranges 10-80 ppm
 Must operate continuously during test (can't cycle off)
 Must operate at steady-state (See Page 8 or 9)

Condition/Specification	Comments
Analyzers (two each) zeroed and span checked initially only	✓ - Span was 100 ppm NO and 15 ppm NO ₂
Sampling probes of analyzers placed beside reference method probe	✓ - connect in a "T" together
Analyzers are allowed to stabilize	✓
After initial readings, probes are switched to ambient air and stabilized	✓
Sample Probes are returned to source for a total of nine samplings	✓
Final zero and span check conducted on analyzer after each source, using the same span as initial check	✓

The water heater used in the VT has been used by Battelle in a previous study. The data on the source levels generated by the water heater is documented in a Battelle report entitled "An Interlaboratory Study to Determine the Precision of an Emission Measurement Protocol for Residential Gas Water Heaters." The data covers 1994 through 1998.

The gas supply for the water heater was from the city gas supply. However, Battelle has a gas chromatograph monitoring the concentration of the gas daily.

Medium NO_x Source

First Diesel Generator: NO and NO₂ ranges 100-1000 ppm NO_x
 Must operate at steady-state

Condition/Specification	Comments
Analyzers (two each) zeroed and span checked initially only	✓ - Generator was run at high RPM Span was 200 ppm NO and 50 ppm NO ₂
Sampling probes of analyzers placed beside reference method probe	✓
Analyzers are allowed to stabilize	✓
After initial readings, probes are switched to ambient air and stabilized	✓
Sample Probes are returned to source for a total of nine samplings	✓ - initial sampling observed only, auditors departed
Analyzers are evaluated at three separate load conditions per generator	
Extended sampling interval (one hour) is conducted during one load condition	See Note Below
Final zero and span check conducted on analyzer after each source, using the same span as initial check	

Note: The Test/QA Plan called for two specific generators from the Air Force that were unavailable at the time of the VT. A generator on-site was modified to be both the medium and high source. This generator was run at a high RPM for the medium source and at idle for the high source. Because of the noise level at the high RPM, most of the extended sampling interval (one hour) was done during the high source test and not the medium source. One vendor chose to not submit its monitors to the high source so its extended sampling interval was done during the medium source (high RPM).

Steady-State:

Temperature changes in the center position of the exhaust of not more than $\pm 10^{\circ}\text{F}$;

NO_x changes at the center of the exhaust duct of $\leq \pm 5\%$ relative to the mean over the 15 minute interval as determined using the EPA reference method

O₂ changes, at the center of the exhaust duct of $\leq \pm 0.50\%$ absolute (± 5000 ppm) from the mean sampled over the 15 minute interval.

High NO_x Source - Not Observed

Second Diesel Generator: NO and NO₂ ranges 600-2300 ppm NO_x
 Must operate at steady-state

Condition/Specification	Comments
Analyzers (two each) zeroed and span checked initially only	
Sampling probes of analyzers placed beside reference method probe	
Analyzers are allowed to stabilize	
After initial readings, probes are switched to ambient air and stabilized	
Sample Probes are returned to source for a total of nine samplings	
Analyzers are evaluated at three separate load conditions per generator	
Extended sampling interval (one hour) is conducted during one load condition	
Final zero and span check conducted on analyzer after each source, using the same span as initial check	

Note: Instead of a second generator, the generator was run at idle to produce a span of 400 ppm NO and 100 ppm NO₂.

Steady-State:

Temperature changes in the center position of the exhaust of not more than $\pm 10^{\circ}\text{F}$;

NO_x changes at the center of the exhaust duct of $\leq \pm 5\%$ relative to the mean over the 15 minute interval as determined using the EPA reference method

O₂ changes, at the center of the exhaust duct of $\leq \pm 0.50\%$ absolute (± 5000 ppm) from the mean sampled over the 15 minute interval.