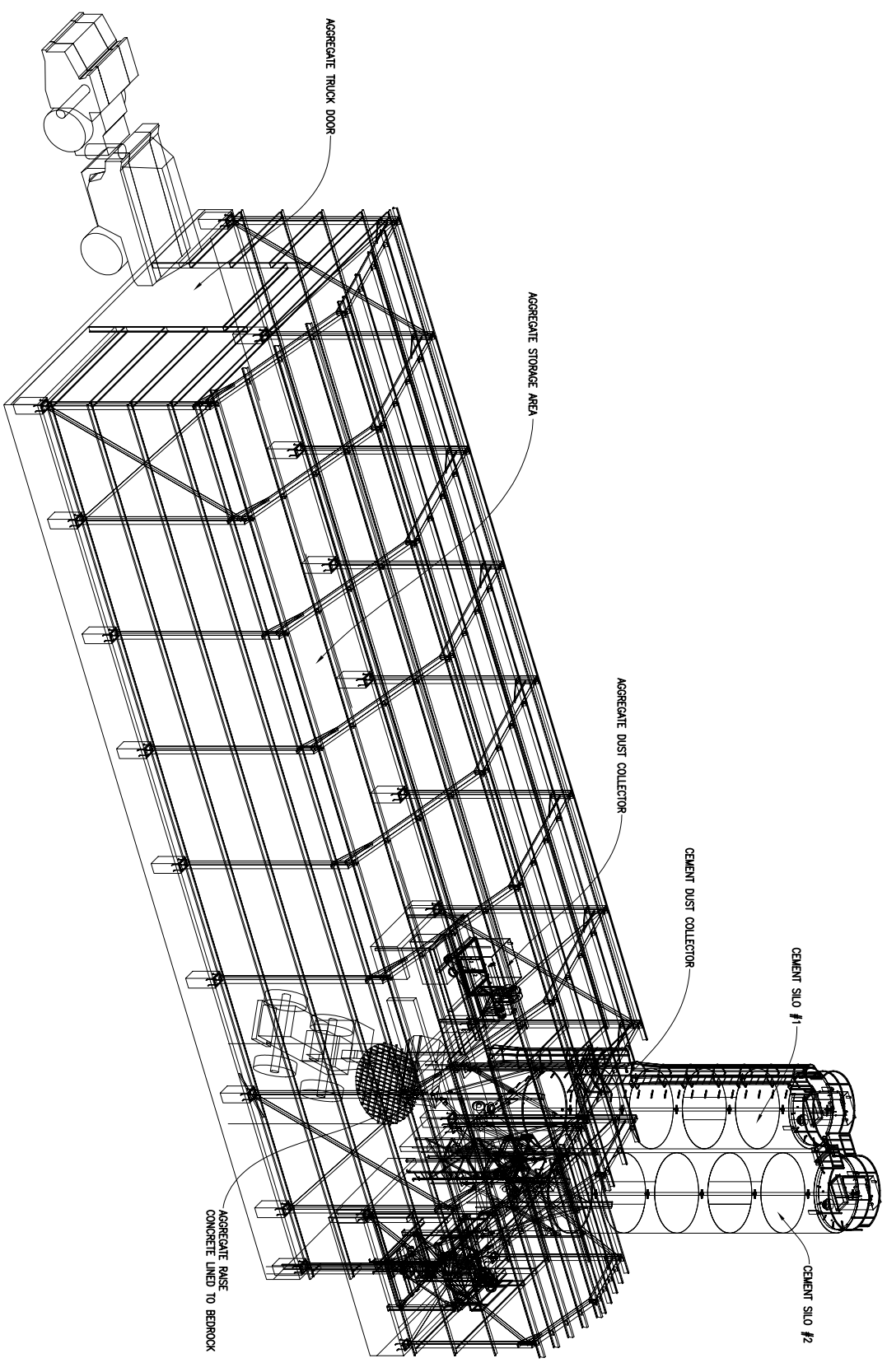
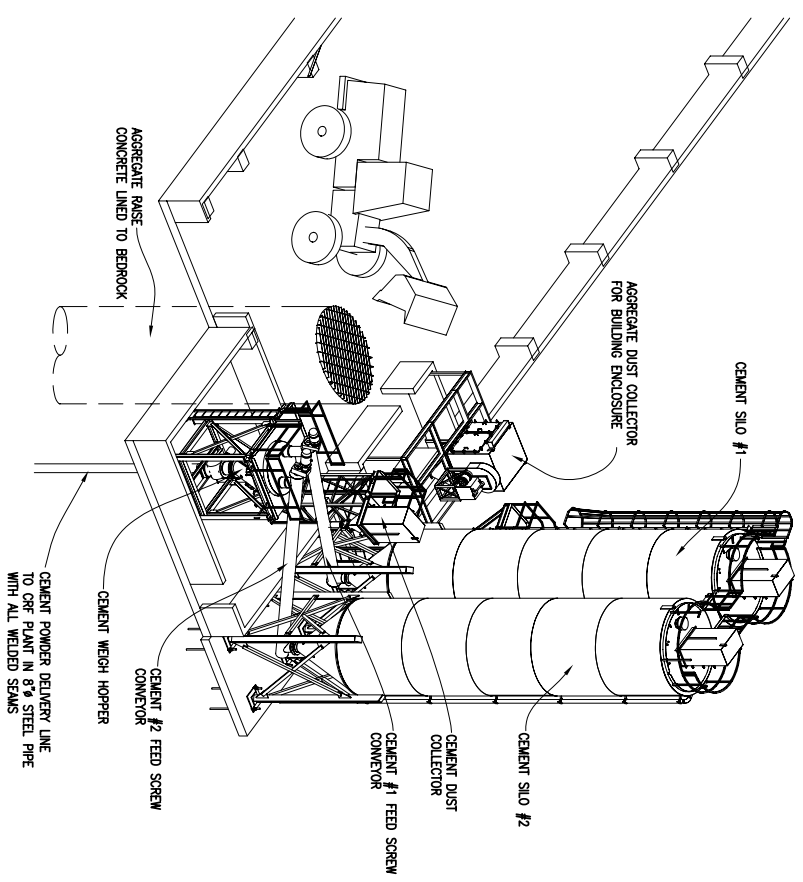
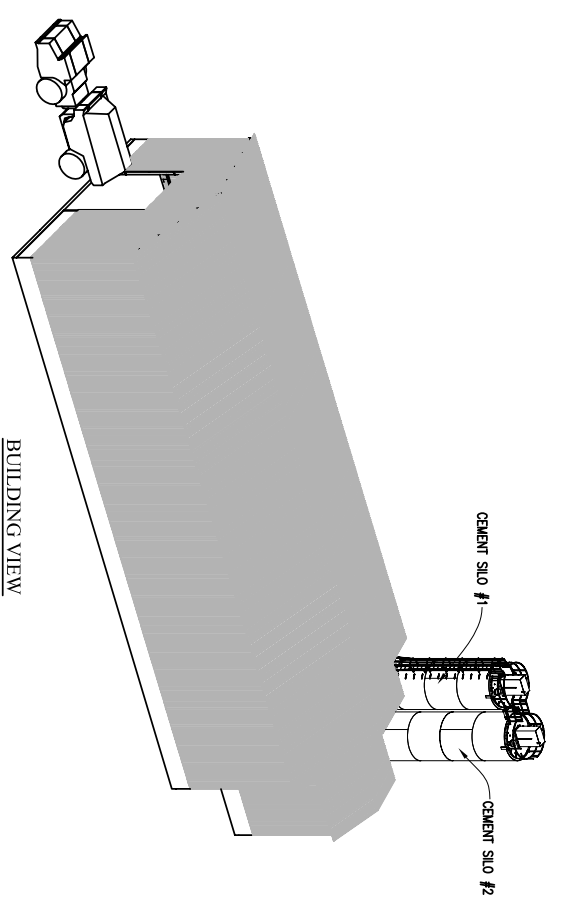


US EPA ARCHIVE DOCUMENT



VIEW WITH CLADDING REMOVED TO SHOW EQUIPMENT LAYOUT



PARTIAL VIEW OF EQUIPMENT LAYOUT

ALL DIMENSIONS TO FACE UNLESS SPECIFIED
 UNITS: METRIC (SI) UNITS
 DIMENSIONS: 1/8" (3.175) UNITS
 FINISH: AS PER SPECIFICATION

Team Miking Technologies Inc.
 Unit 1A-30528 Great Northern Avenue
 Abbotsford BC V2T 6H4 Canada
 Ph: +1 604 556 7225 Fax: +1 604 556 7215
 E-mail: info@teammiking.com Web: www.teammiking.com

CLIENT:	KENNECOTT		
PROJECT:	EAGLE CRF		
AREA:	SURFACE PLANT		
TITLE:	SITE LAYOUT		
DRAWN:	BW	DATE:	FEB 10
CHECK:	-	DATE:	-
REV	TR	BY	CHK
B	12MART10	CONTOURS OMITTED	REMARKS

SCALE: (U.N.O.) FAB W.O. NO. DRAWING NO. REV
 1"=20'-0" 0679 0679-3 B