

US EPA ARCHIVE DOCUMENT

1. First, connect the air hose/regulator to a 100 cu.ft. Tank and press the purge button and allow air to pass through the regulator to verify the system is under pressure before immersion. Next, immerse entire face mask into fresh warm water and clean any debris from mask (grit, grime, nasal material) remove nose pad from metal clip and scrub pad with Aga brush. Press the purge button several more times while the mask is under water. After the rinse, close the tank, purge the line and unscrew the Aga from the air hose (keep the swivel joint with the Aga) for disassembling.

2. Remove cover assembly held by two thumb screws (20\*). Remove the breathing valve (2,7,17\*) from the mask body by turning clockwise. Dismantle the breathing valve by unscrewing the locking ring (16\*) and removing the positive pressure unit (ppu)(2,7\*) from the valve housing.

Disassemble the ppu by removing the diaphragm assembly (7\*) from the positive pressure attachment(2\*). **Do not disassemble the diaphragm assembly.** Check for debris and damage to the diaphragms.

3. Immerse entire face mask including the breathing valve/ppu into betadine solution (0.6 ounce or 18 ml per one gallon) and let soak for 10 minutes minimum. Remove from betadine solution and rinse well with fresh warm water.

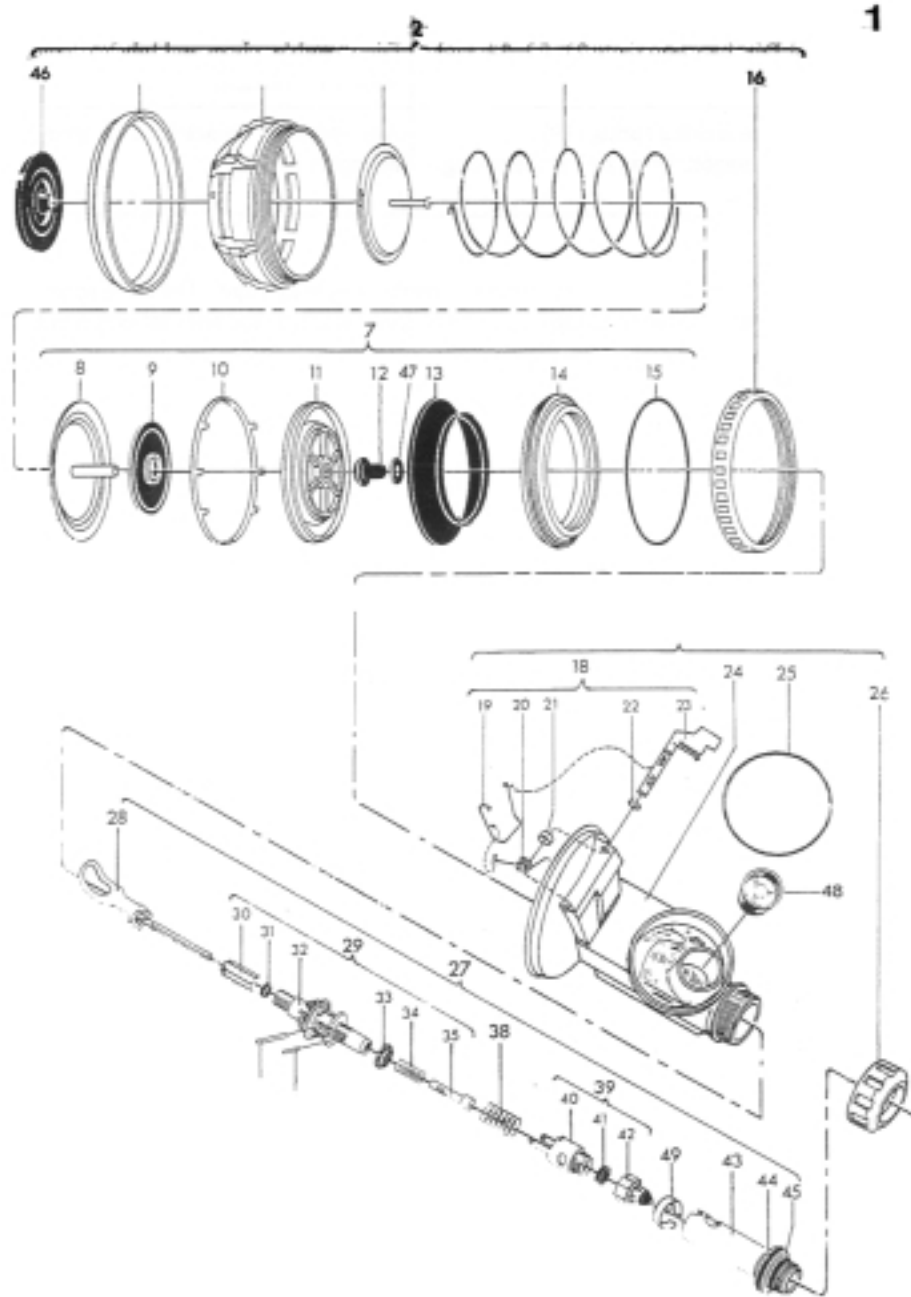
4. Place parts on clean towel to dry. **Keep individual mask parts together.**

5. After parts have dried check, clean and lubricate o-rings, diaphragms, sealing disk shaft(8\*). Reassemble the positive pressure unit and screw it back into the breathing valve housing. Attach breathing valve to face mask.

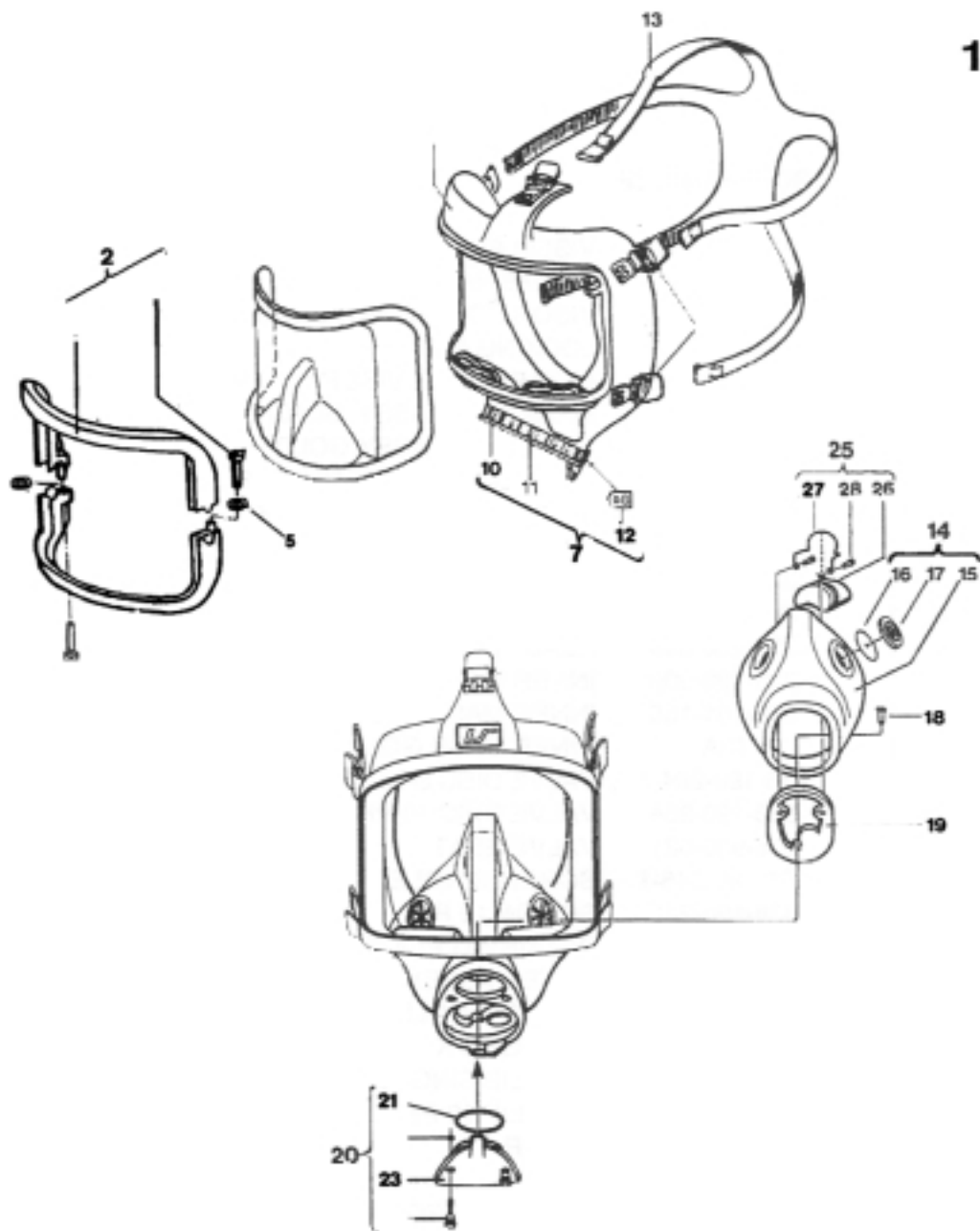
6. Check proper function of the breathing valve by connecting the air hose/regulator to a 100cu.ft. tank (a) With breathing valve lever turned off, turn on air supply. No flow of air should be heard. (b) With breathing valve lever turned on, a strong flow of air should be obtained. (c) With breathing valve lever turned off, place mask on face and check to see if positive pressure is switched on automatically by the first inhalation. Wipe out mask with MSA alcohol wipe (obtain from OEA locker or Cathe Bell)

7. Store mask with plastic face plate down with the webbing over the face plate.

\*Diagrams found in Divator MK-II Service Manual Pages 24,25



Positiv Pressure Second Stage Breathing Valve



**Ful Fac Diving Mask**