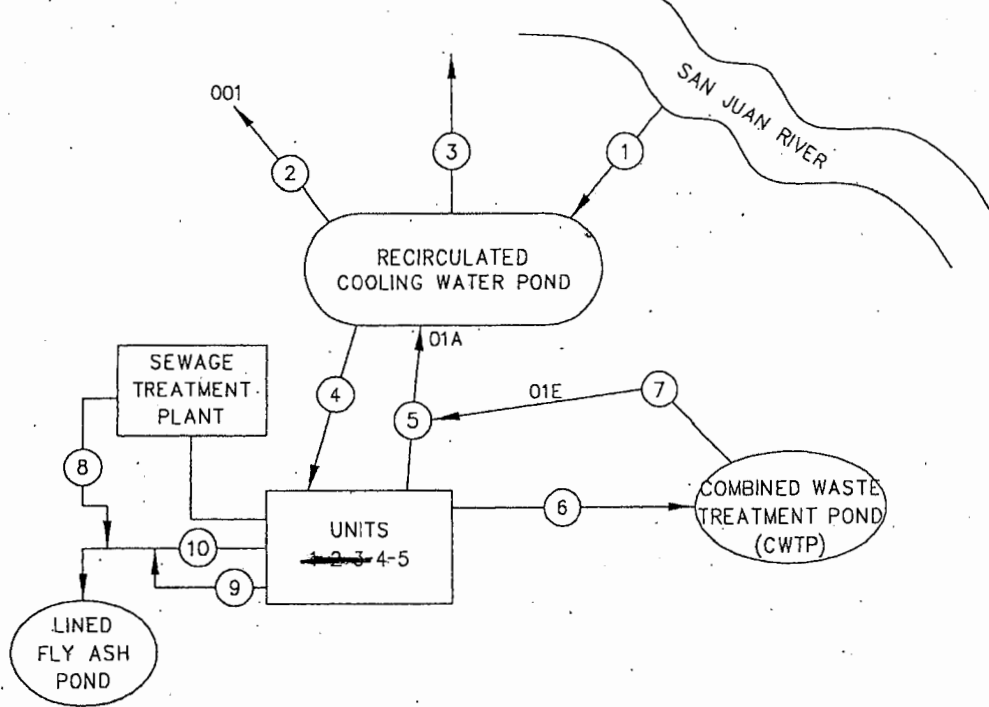


US EPA ARCHIVE DOCUMENT

Attachment D: Wastewater Flow Schematic

NO.	TITLE	AVG. RATE (MGPD)
1	RIVER MAKE-UP; COOLING WATER INTAKE	17-28
2	RECIRCULATED COOLING WATER POND DISCHARGE/BLOW-DOWN SYSTEM EVAPORATION	3-14.6
4	SERVICE & RECIRCULATED COOLING WATER INTAKE*	1000-1726.7
5	RECIRCULATED COOLING WATER RETURN	1000-1713.6
6	COMBINED WASTE STREAMS *	13.0
7	CWTP (L.V.W.) DISCHARGE	13.0
8	SANITARY SEWAGE	.027-.04
9	CHEMICAL METAL CLEANING WASTES	.100
10	FLUE GAS DESULFURIZATION WASTEWATER	0.8-1.4

* INCLUDES IN PLANT STORM WATER RUNOFF



4	4-24-07	AS-BUILT	MDC		HB		BS	
3	2-23-07	GENERAL REVISIONS	MDC		HB		BS	
2	10-4-05	CHG. NO. 2 FROM 14.7 TO 14.6 MGPD	MDC		WB	WB	BS	
1	9-27-05	CHG. NO. 8 FROM .1 TO .04 MGPD & NO. 9 FROM .005 TO .100 MGPD AND REVISED TEXTS	MDC		CW	CW	BS	
NO.	DATE	REVISION	DWN	CHD	EXD	RVWD	APVD	W A

FOUR CORNERS
COMMON
N.P.D.E.S PERMIT APPLICATION
WATER FLOW LINE

DATE 08-24-02

SCALE NONE

W.A.



DWN BK\MC EXD RDB

APPROVED

CHD WB RVWD DB

D. BLOOMFIELD
ENGINEERING SUPERVISOR

THIS DRAWING IS CONFIDENTIAL AND SHALL NOT BE USED OR REPRODUCED IN ANY PART WITHOUT WRITTEN CONSENT OF PINNACLE WEST CAPITAL CORPORATION.

UNIT	DISC	TYPE	SYS	NUMBER	SHEET
FC	C	16	CEM	114058	1

DRAWING: T:\gen\Monroe\Charles\CheckIn\FC-C-16-CEM-114058-1.dwg

US EPA ARCHIVE DOCUMENT