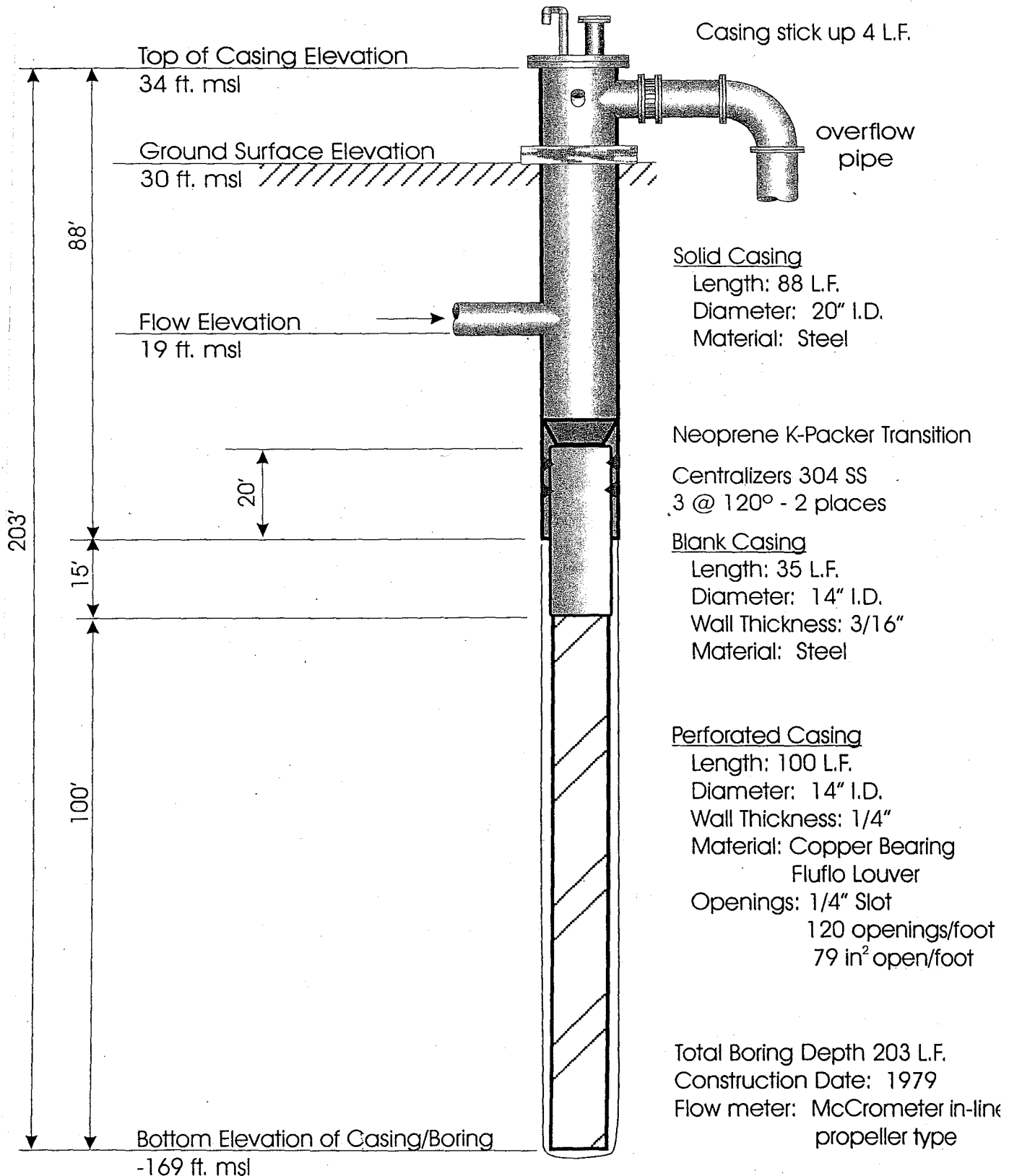


US EPA ARCHIVE DOCUMENT

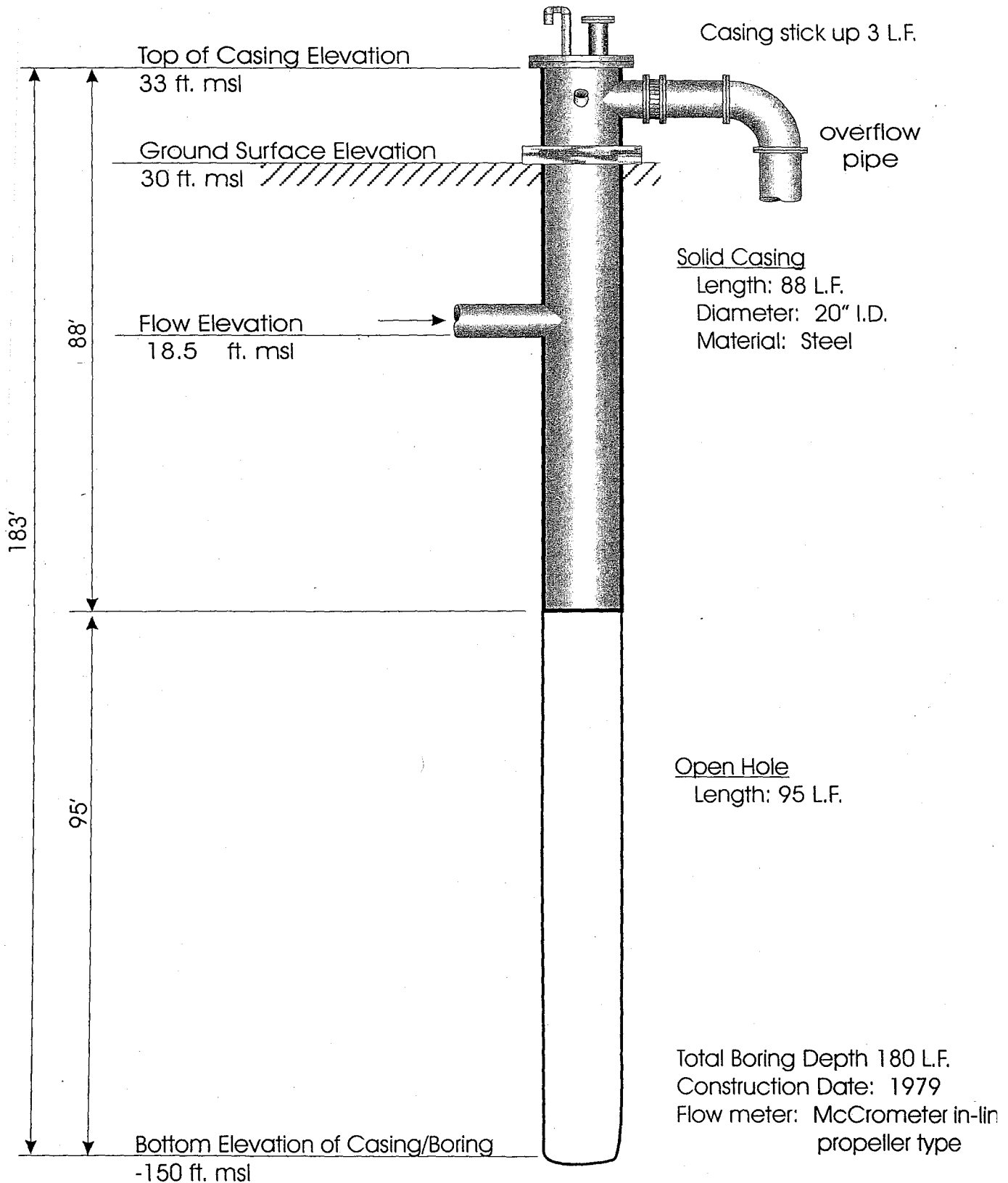
**APPENDIX A - INJECTION WELL SCHEMATICS**

# Lahaina Wastewater Reclamation Facility Injection Well No. 1



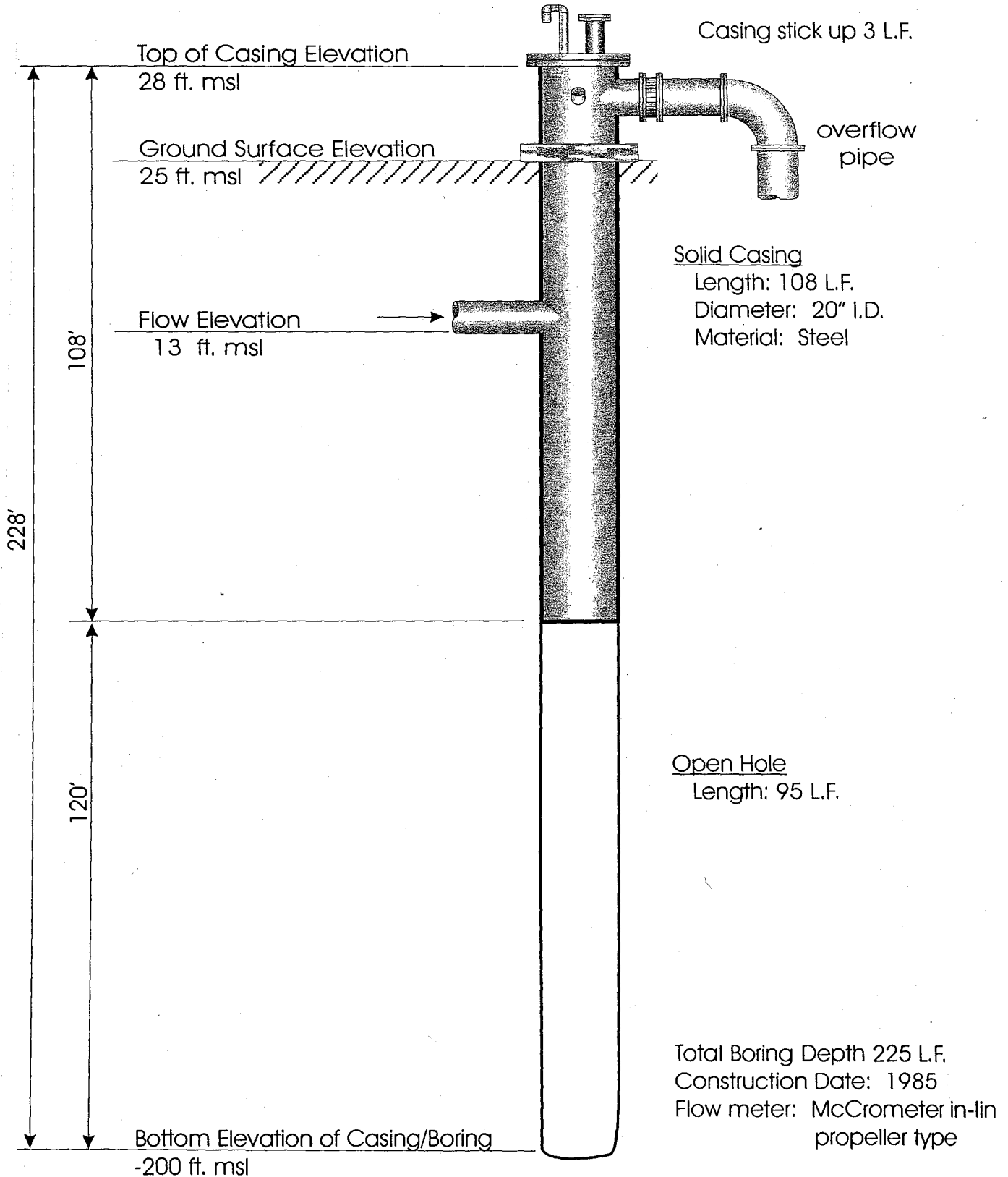
US EPA ARCHIVE DOCUMENT

# Lahaina Wastewater Reclamation Facility Injection Well No. 2

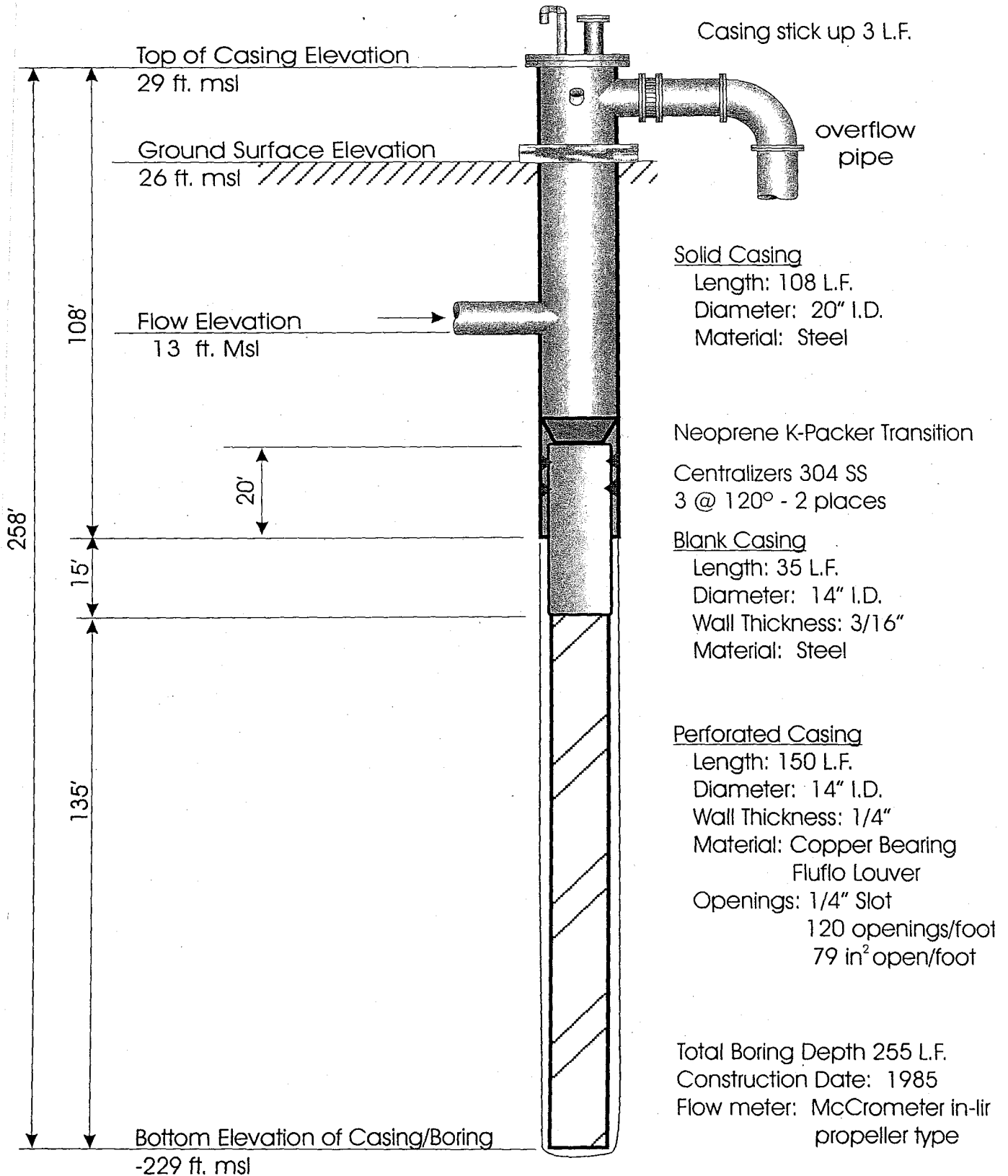


US EPA ARCHIVE DOCUMENT

# Lahaina Wastewater Reclamation Facility Injection Well No. 3



# Lahaina Wastewater Reclamation Facility Injection Well No. 4



US EPA ARCHIVE DOCUMENT