

US EPA ARCHIVE DOCUMENT

D

C

B

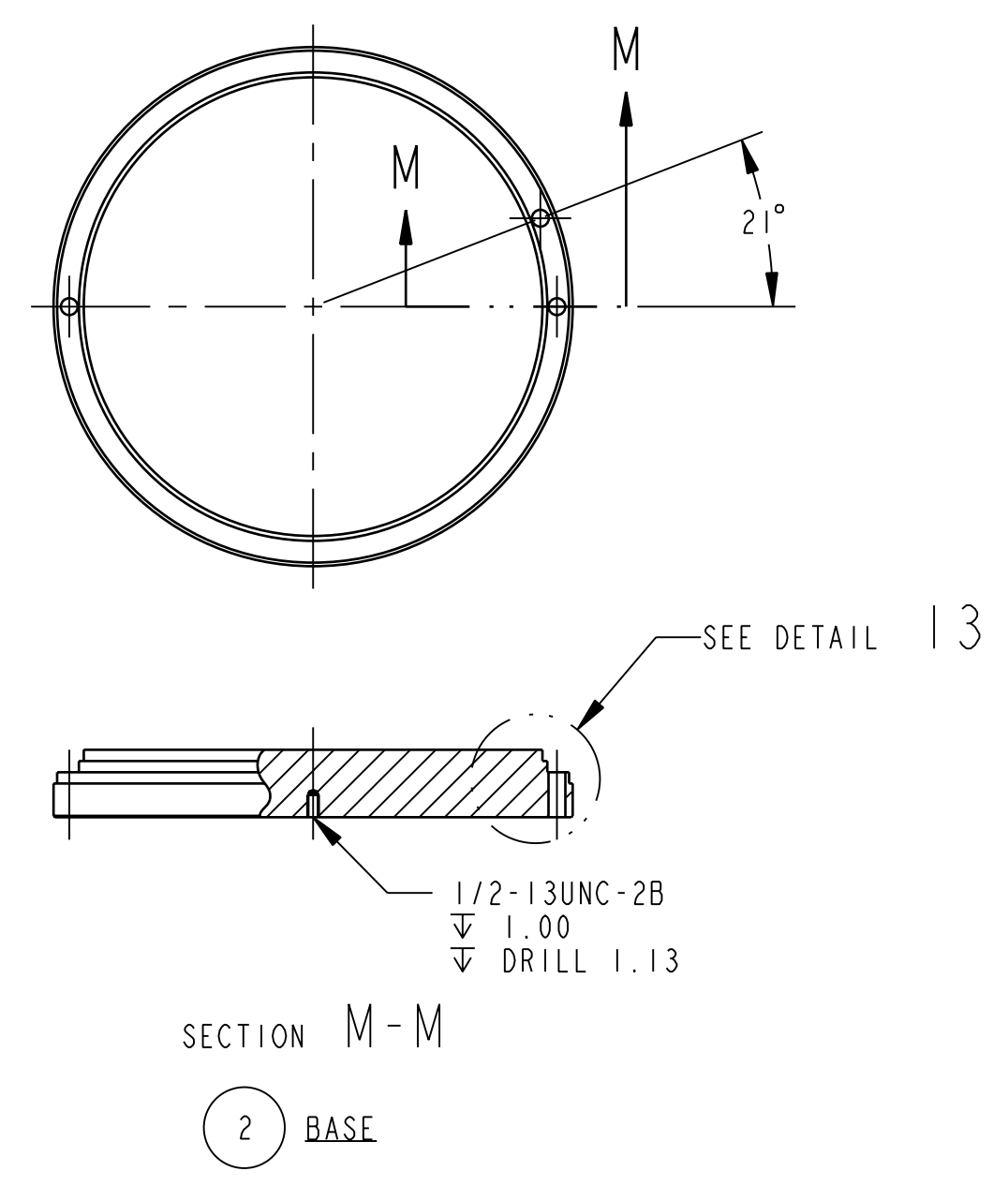
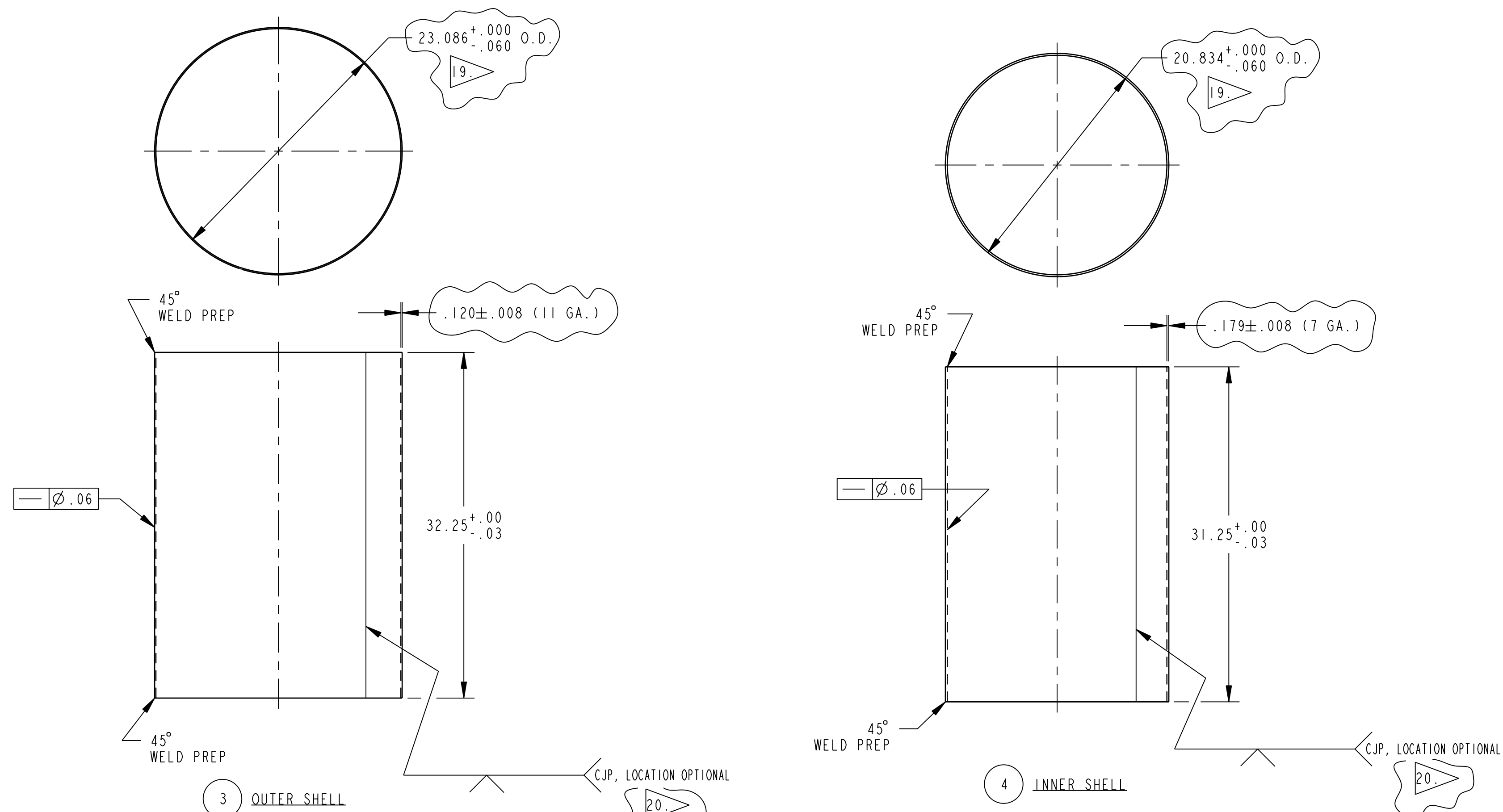
A

D

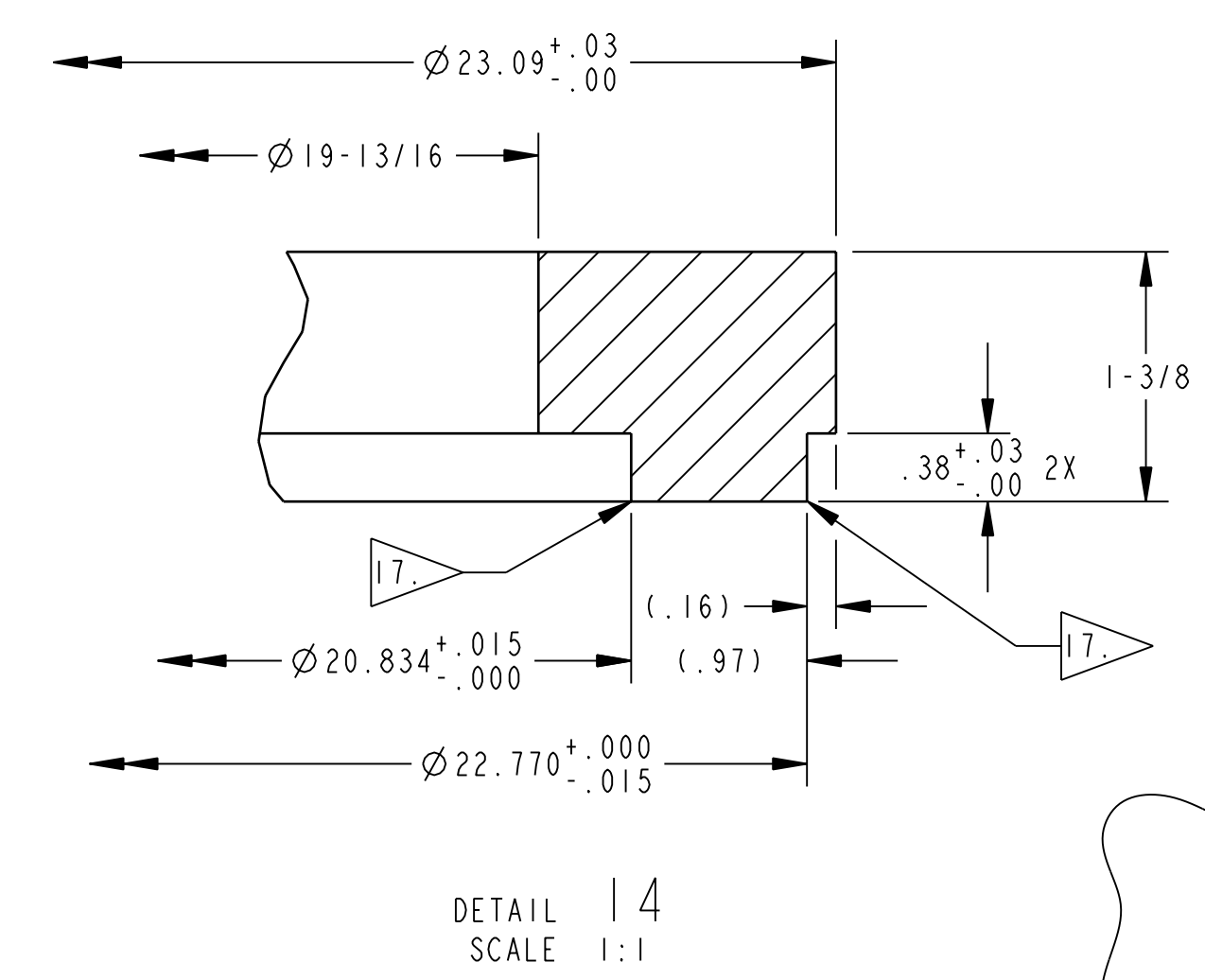
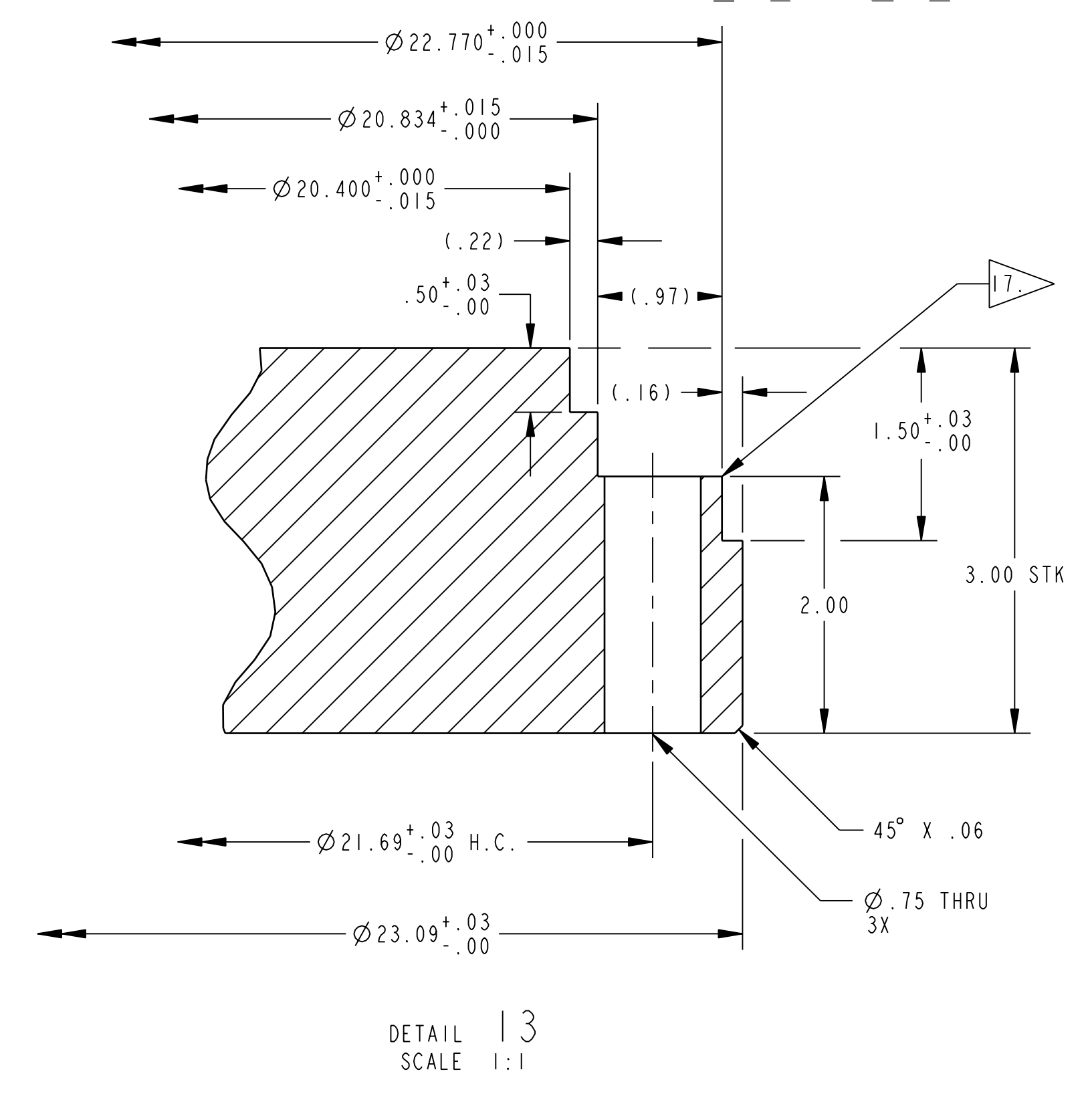
C

B

A



INFORMATION ONLY



B	REVISED PER ADD. #2	JMN	BAD	TD	BB	11834	N/A
		6/12/08	6/12/08	6/12/08	6/16/08		
A	REVISED PER ADD. #1	JMN	BAD	TD	BB	11834	N/A
		9/13/07	9/14/07	9/14/07	9/14/07		
REV	ISSUE DESCRIPTION	DFTR	CHKR	COG	DFTG MGR	ECO	PWR
		DATE	DATE	DATE	DATE		

THIS DRAWING CREATED BY ENGINEERING CHANGE ORDER (ECO): 11834 PWR: N/A

DFTR: J.M. NEVAREZ 7/18/07
CHKR: B. DAY FOR RAJ 8/9/07
COG: ANTHONY DONNER 8/9/07
CM: TODD SELLMER 8/13/07
QA: BRUCE G. FAULK 8/13/07

U.S. DEPARTMENT OF ENERGY
Washington
TRU Solutions LLC
Waste Isolation Pilot Plant
Carlisle, PA

DIM. IN INCHES U.N.O.		SFTY: N/A
[] DENOTES mm U.N.O.		APPD: N/A
UNLESS OTHERWISE SPECIFIED TOLERANCES		DM: BOB BEEMAN 8/13/07
2 PL DEC 3 PL DEC ANGLES 125		
±.03 ±.010 ±.5°		
FRACTIONS: ±1/16		
DOE: N/A		SCALE: 1:8
CAD SOURCE		PRO/ENGINEER

INDEX CODE NUMBER				
SYSTEM	WBE	DWG TYPE	CL	VENDOR
PT03	165	01300	44	240

TITLE		SHIELDED CONTAINER ASSEMBLY BODY PARTS (PRE-LEAD POUR)	
SIZE SYS	DWG NO	REV	
D PT03	165-F-026-W5	B	
SCALE: 1:8		INTERPRET DWG PER ANSI Y14	
THIS DRAWING TAKEN FROM: N/A			
VENDOR: N/A			